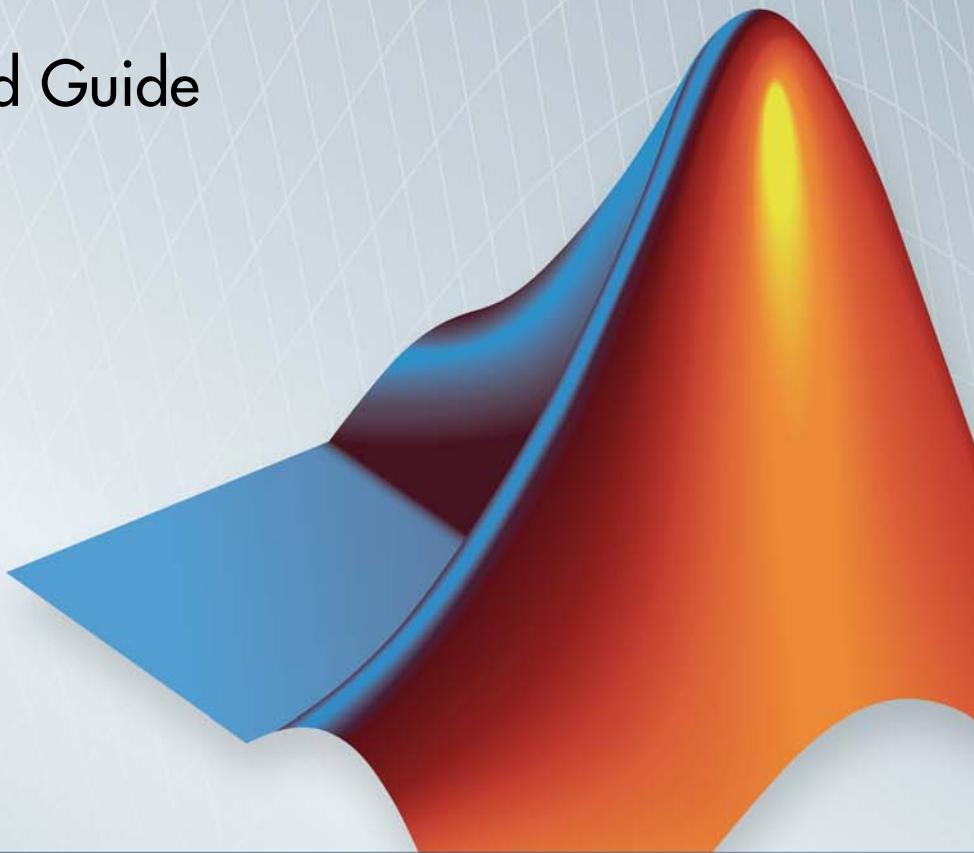


Stateflow®

Getting Started Guide

R2013b



MATLAB® & SIMULINK®



How to Contact MathWorks



www.mathworks.com Web
comp.soft-sys.matlab Newsgroup
www.mathworks.com/contact_TS.html Technical Support



suggest@mathworks.com Product enhancement suggestions
bugs@mathworks.com Bug reports
doc@mathworks.com Documentation error reports
service@mathworks.com Order status, license renewals, passcodes
info@mathworks.com Sales, pricing, and general information



508-647-7000 (Phone)



508-647-7001 (Fax)



The MathWorks, Inc.
3 Apple Hill Drive
Natick, MA 01760-2098

For contact information about worldwide offices, see the MathWorks Web site.

Stateflow® *Getting Started Guide*

© COPYRIGHT 2004–2013 by The MathWorks, Inc.

The software described in this document is furnished under a license agreement. The software may be used or copied only under the terms of the license agreement. No part of this manual may be photocopied or reproduced in any form without prior written consent from The MathWorks, Inc.

FEDERAL ACQUISITION: This provision applies to all acquisitions of the Program and Documentation by, for, or through the federal government of the United States. By accepting delivery of the Program or Documentation, the government hereby agrees that this software or documentation qualifies as commercial computer software or commercial computer software documentation as such terms are used or defined in FAR 12.212, DFARS Part 227.72, and DFARS 252.227-7014. Accordingly, the terms and conditions of this Agreement and only those rights specified in this Agreement, shall pertain to and govern the use, modification, reproduction, release, performance, display, and disclosure of the Program and Documentation by the federal government (or other entity acquiring for or through the federal government) and shall supersede any conflicting contractual terms or conditions. If this License fails to meet the government's needs or is inconsistent in any respect with federal procurement law, the government agrees to return the Program and Documentation, unused, to The MathWorks, Inc.

Trademarks

MATLAB and Simulink are registered trademarks of The MathWorks, Inc. See www.mathworks.com/trademarks for a list of additional trademarks. Other product or brand names may be trademarks or registered trademarks of their respective holders.

Patents

MathWorks products are protected by one or more U.S. patents. Please see www.mathworks.com/patents for more information.

Revision History

June 2004	First printing	New for Version 6.0 (Release 14)
October 2004	Online only	Revised for Version 6.1 (Release 14SP1)
March 2005	Online only	Revised for Version 6.2 (Release 14SP2)
September 2005	Online only	Revised for Version 6.3 (Release 14SP3)
October 2005	Reprint	Version 6.0
March 2006	Second printing	Revised for Version 6.4 (Release 2006a)
September 2006	Reprint	Version 6.5 (Release 2006b)
March 2007	Online only	Rereleased for Version 6.6 (Release 2007a)
September 2007	Third printing	Rereleased for Version 7.0 (Release 2007b)
March 2008	Fourth printing	Revised for Version 7.1 (Release 2008a)
October 2008	Fifth printing	Revised for Version 7.2 (Release 2008b)
March 2009	Sixth printing	Revised for Version 7.3 (Release 2009a)
September 2009	Online only	Revised for Version 7.4 (Release 2009b)
March 2010	Online only	Revised for Version 7.5 (Release 2010a)
September 2010	Online only	Revised for Version 7.6 (Release 2010b)
April 2011	Seventh printing	Revised for Version 7.7 (Release 2011a)
September 2011	Online only	Revised for Version 7.8 (Release 2011b)
March 2012	Online only	Revised for Version 7.9 (Release 2012a)
September 2012	Online only	Revised for Version 8.0 (Release 2012b)
March 2013	Online only	Revised for Version 8.1 (Release 2013a)
September 2013	Online only	Revised for Version 8.2 (Release 2013b)

Introduction to the Stateflow Product

1

Stateflow Product Description	1-2
Key Features	1-2
Anatomy of a Stateflow Chart	1-3
How Stateflow Software Works with Simulink Software	1-5
Model Event-Driven System Using C Expressions	1-7
Installing Stateflow Software	1-8
Installation Instructions	1-8
Prerequisite Software	1-8
Product Dependencies	1-9
Setting Up Your Own Target Compiler	1-9
Using Stateflow Software on a Laptop Computer	1-10
Related Products	1-11

The Stateflow Chart You Will Build

2

The Stateflow Chart	2-2
How the Stateflow Chart Works with the Simulink Model	2-6
A Look at the Physical Plant	2-7

Running the Model	2-10
--------------------------------	-------------

Defining the Interface to the Simulink Model

3

Implementing the Interface with Simulink	3-2
Build It Yourself or Use the Supplied Model	3-2
Design Considerations for Defining the Interface	3-2
Adding a Stateflow Block to a Simulink Model	3-4
Defining the Inputs and Outputs	3-8
Connecting the Stateflow Block to the Simulink Subsystem	3-15

Defining the States for Modeling Each Mode of Operation

4

Implementing the States to Represent Operating Modes	4-2
Build It Yourself or Use the Supplied Model	4-2
Design Considerations for Defining the States	4-2
Adding the Power On and Power Off States	4-7
Adding and Configuring Parallel States	4-10
Adding the On and Off States for the Fans	4-16

Defining State Actions and Variables

5

Implementing State Actions	5-2
Build It Yourself or Use the Supplied Model	5-2
Design Considerations for Defining State Actions and Variables	5-2
Writing an Entry Action	5-4

Defining Transitions Between States

6

Adding the Transitions	6-2
Build It Yourself or Use the Supplied Model	6-2
Design Considerations for Defining Transitions Between States	6-2
Drawing the Transitions Between States	6-4
Adding Default Transitions	6-8
Adding Conditions to Guard Transitions	6-11
Adding Events to Guard Transitions	6-13

Triggering a Stateflow Chart

7

Implementing the Triggers	7-2
Build It Yourself or Use the Supplied Model	7-2
Design Considerations for Triggering Stateflow Charts ...	7-2
Defining the CLOCK Event	7-3
Connecting the Edge-Triggered Events to the Input Signals	7-4

Simulating the Chart

8

Setting Simulation Parameters and Breakpoints	8-2
Prepare the Chart Yourself or Use the Supplied Model ...	8-2
Checking That Your Chart Conforms to Best Practices ...	8-2
Setting the Length of the Simulation	8-3
Configuring Animation for the Chart	8-5
Setting Breakpoints to Observe Chart Behavior	8-8

Simulating the Air Controller Chart	8-10
---	------

Debugging the Chart

9

Debugging Common Modeling Errors	9-2
Debugging State Inconsistencies	9-2
Debugging Data Range Violations	9-5

Index

Introduction to the Stateflow Product

This chapter describes Stateflow[®] event-based modeling software and its components.

- “Stateflow Product Description” on page 1-2
- “Anatomy of a Stateflow Chart” on page 1-3
- “How Stateflow Software Works with Simulink Software” on page 1-5
- “Model Event-Driven System Using C Expressions” on page 1-7
- “Installing Stateflow Software” on page 1-8
- “Related Products” on page 1-11

Stateflow Product Description

Model and simulate decision logic using state machines and flow charts

Stateflow is an environment for modeling and simulating combinatorial and sequential decision logic based on state machines and flow charts. Stateflow lets you combine graphical and tabular representations, including state transition diagrams, flow charts, state transition tables, and truth tables, to model how your system reacts to events, time-based conditions, and external input signals.

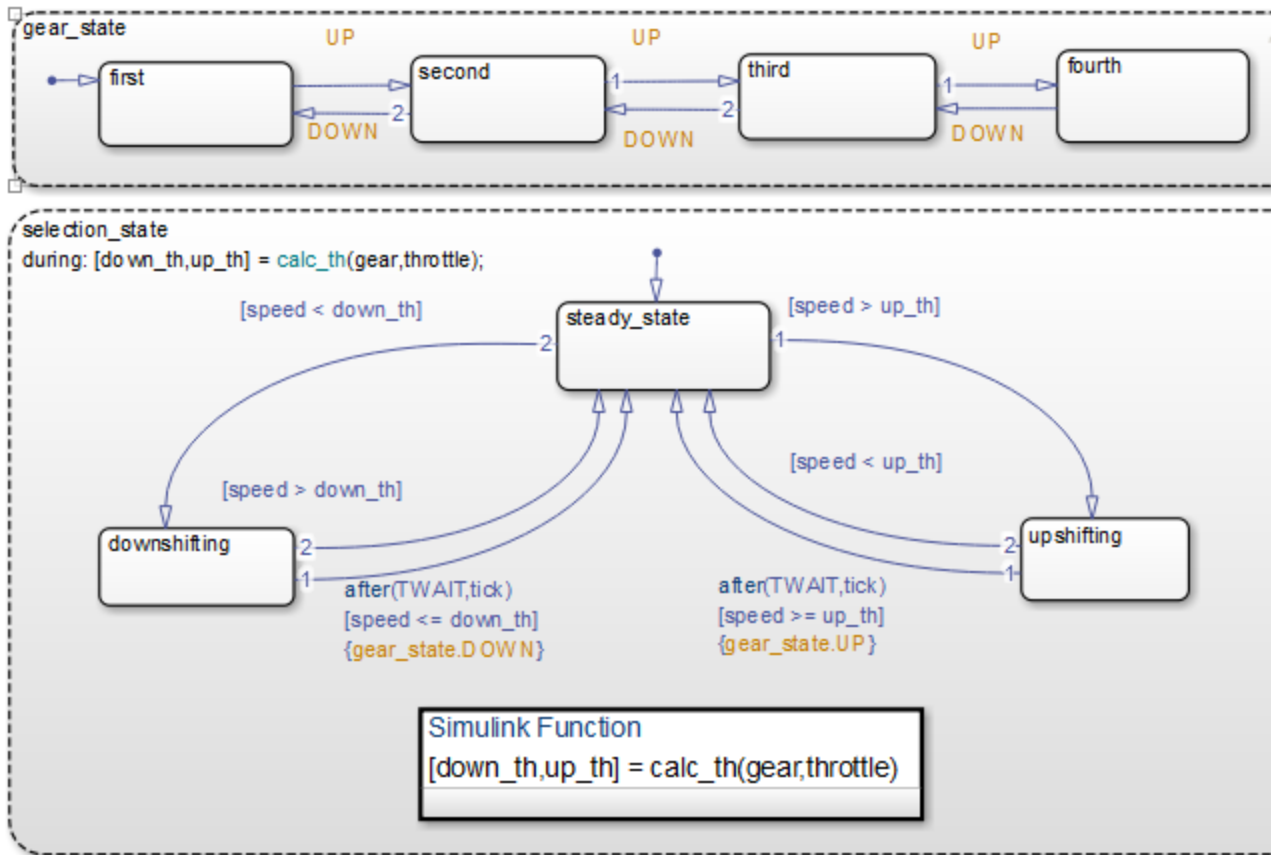
With Stateflow you can design logic for supervisory control, task scheduling, and fault management applications. Stateflow includes state machines animation and static and run-time checks for testing design consistency and completeness before implementation.

Key Features

- Modeling environment, graphical components, and simulation engine for modeling and simulating complex logic
- Deterministic execution semantics with hierarchy, parallelism, temporal operators, and events
- State diagrams, state transition tables, and state transition matrices representing finite state machines
- Flow charts, MATLAB® functions, and truth tables for representing algorithms
- State diagram animation, state activity logging, data logging, and integrated debugging for analyzing the design and detecting runtime errors
- Static and run-time checks for transition conflicts, cyclic problems, state inconsistencies, data-range violations, and overflow conditions
- Mealy and Moore finite-state machines

Anatomy of a Stateflow Chart

Here is an example of a Stateflow chart, which models as a finite-state machine the logic required to shift gears in an automatic transmission system of a car:



Notice the following details in this chart:

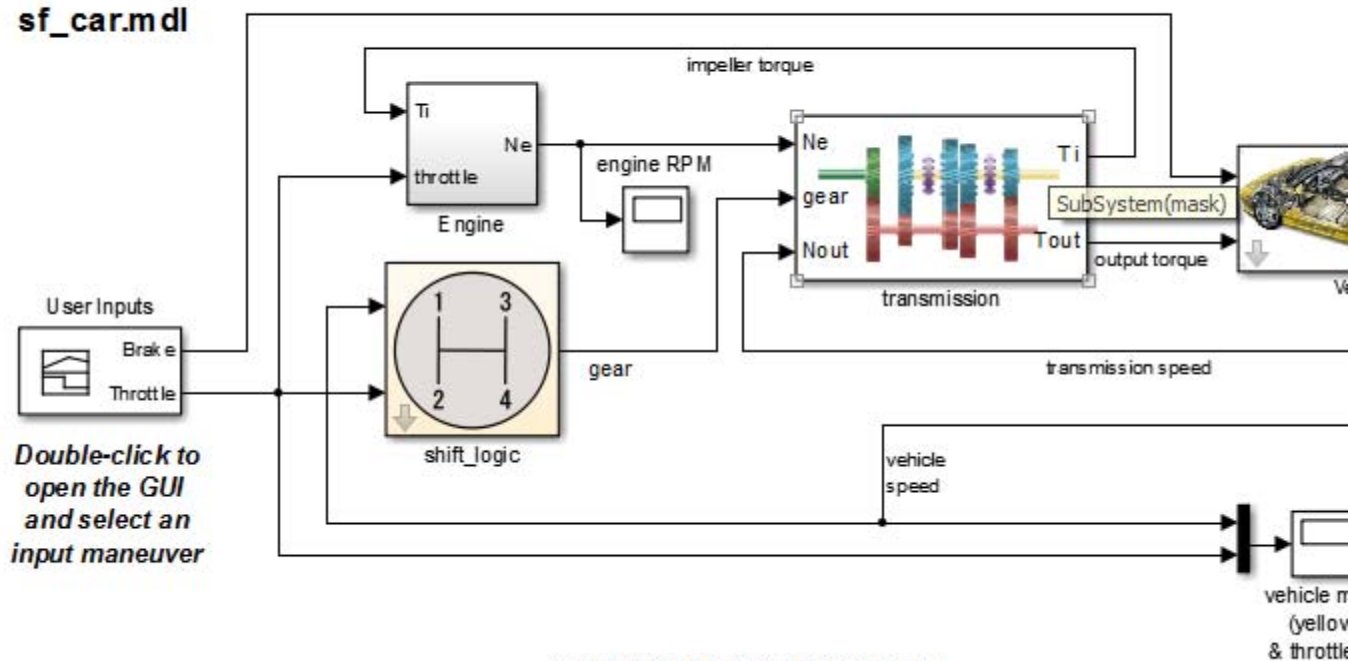
- Each gear and shift position is represented by a state.

- States having a dashed boundary, such as `gear_state` and `selection_state`, are parallel (can be active concurrently).
- States with a solid boundary, such as `first`, `second`, `third` and `fourth`, are exclusive (only one can be active at a time).
- Transitions can be triggered by events and conditions.
- Directed-event broadcasts, such as `UP` and `DOWN`, trigger selective execution of chart logic.

This chart is part of an example model called `sf_car` that ships with the Stateflow product. To explore the model further, open it by typing `sf_car` at the command prompt in the MATLAB Command Window.

How Stateflow Software Works with Simulink Software

Stateflow charts run as blocks in a Simulink® model. The Stateflow block interfaces with other blocks in the model using input and output signals. Through these connections, Stateflow and Simulink software share data and respond to events that broadcast between model and chart. For example, the Stateflow `shift_logic` block is integrated with the Simulink `sf_car` model as shown.



Copyright 1997-2012 The MathWorks, Inc.

You can develop your Stateflow chart before or after the Simulink model in which it will run. Stateflow software comes with its own editor and debugger, which helps you simulate and test the chart logic before you integrate it with

a Simulink model. You can test a Stateflow chart independently of its parent model by attaching a Source block as an input and a Sink block as an output. During simulation, you can animate the chart to get visual feedback about its run-time behavior.

Model Event-Driven System Using C Expressions

Before you start building a chart, you identify system attributes by answering these questions:

- 1** What are your interfaces?
 - a** What are the event triggers to which your system reacts?
 - b** What are the inputs to your system?
 - c** What are the outputs from your system?
- 2** Does your system have any operating modes?
 - a** If the answer is yes, what are the operating modes?
 - b** Between which modes can you transition? Are there any operating modes that can run in parallel?

If your system has no operating modes, the system is *stateless*. If your system has operating modes, the system is *modal*.

After identifying your system attributes, you can follow a basic workflow for building Stateflow charts to model event-driven systems:

- 1** Define the interface to Simulink.
- 2** Define the states for modeling each mode of operation.
- 3** Define state actions and variables.
- 4** Define the transitions between states.
- 5** Decide how to trigger the chart.
- 6** Simulate the chart.
- 7** Debug the chart.

Installing Stateflow Software

In this section...

“Installation Instructions” on page 1-8

“Prerequisite Software” on page 1-8

“Product Dependencies” on page 1-9

“Setting Up Your Own Target Compiler” on page 1-9

“Using Stateflow Software on a Laptop Computer” on page 1-10

Installation Instructions

Stateflow software runs on Windows® and UNIX® operating systems. Your MATLAB installation documentation provides all the information you need to install Stateflow software. Before installing the product, you must obtain and activate a license (see instructions in your MATLAB installation documentation) and install prerequisite software (see “Prerequisite Software” on page 1-8 for a complete list).

Prerequisite Software

Before installing Stateflow software, you need the following products:

- MATLAB
- Simulink
- C or C++ compiler supported by the MATLAB technical computing environment

The compiler is required for compiling code generated by Stateflow software for simulation. The 32-bit Windows version of the Stateflow product comes with a C compiler (`lcc.exe`) and a make utility (`lccmake`). Both tools are installed in the folder `matlabroot\sys\lcc`. If you do not configure MATLAB to use any other compiler on Windows operating systems, Stateflow software uses `lcc` to build targets.

The 64-bit Windows version of the Stateflow product comes with a default C compiler, `LCC-win64`. `LCC-win64` is used for simulation and acceleration.

LCC-win64 is only used when another compiler has not been configured in MATLAB.

Note The LCC-win64 compiler is not available as a general compiler for use with the command line MEX in MATLAB. It is a C compiler only, and cannot be used for SIL/PIL modes.

For platforms other than Microsoft® Windows or to install a different compiler, see “Setting Up Your Own Target Compiler” on page 1-9.

Product Dependencies

For information about product dependencies and requirements, see www.mathworks.com/products/stateflow/requirements.html.

Setting Up Your Own Target Compiler

If you use the UNIX version of the Stateflow product or do not use the lcc compiler, you must install your own target compiler. You can use any compiler supported by MATLAB software, as described in “Build MEX-Files” in the MATLAB External Interfaces documentation.

To install a compiler for the Stateflow product, follow these steps:

- 1 At the MATLAB prompt, type

```
mex -setup
```

- 2 Follow the prompts for entering information about the compiler.

Tip For a list of supported compilers, see:

www.mathworks.com/support/compilers/current_release/

Using Stateflow Software on a Laptop Computer

If you plan to run the Microsoft Windows version of the Stateflow product on a laptop computer, you should configure the Windows color palette to use more than 256 colors. Otherwise, you may experience unacceptably slow performance.

To set the Windows graphics palette:

- 1** Click the right mouse button on the Windows desktop to display the desktop menu.
- 2** Select **Properties** from the desktop menu to display the Windows **Display Properties** dialog box.
- 3** Select the **Settings** panel on the **Display Properties** dialog box.
- 4** Choose a setting that is more than 256 colors and click **OK**.

Related Products

Several MathWorks® products extend the capabilities of Stateflow software. For information about these related products, see www.mathworks.com/products/stateflow/related.htm.

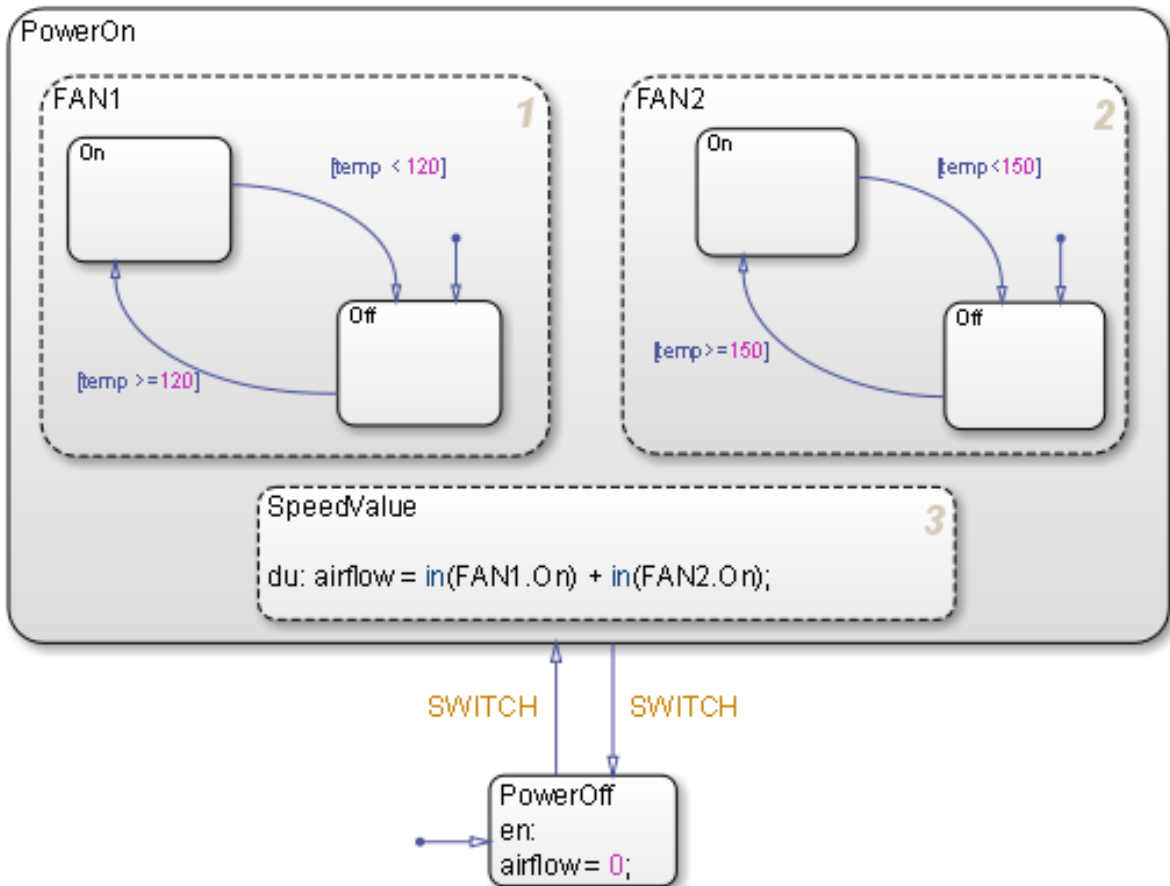
The Stateflow Chart You Will Build

To get hands-on experience using Stateflow software, you will build a Stateflow chart in incremental steps that follow the basic workflow described in “Model Event-Driven System Using C Expressions” on page 1-7. To give you a context for your development efforts, this chapter describes the purpose and function of the chart you will build and explains how it interfaces with a Simulink model. You will also learn how to run a completed version of the model from the MATLAB command line.

- “The Stateflow Chart” on page 2-2
- “How the Stateflow Chart Works with the Simulink Model” on page 2-6
- “A Look at the Physical Plant” on page 2-7
- “Running the Model” on page 2-10

The Stateflow Chart

You will build a Stateflow chart that maintains air temperature at 120 degrees in a physical plant. The Stateflow controller operates two fans. The first fan turns on if the air temperature rises above 120 degrees and the second fan provides additional cooling if the air temperature rises above 150 degrees. When completed, your Stateflow chart should look something like this:



As you can see from the title bar, the chart is called Air Controller and is part of a Simulink model called `sf_aircontrol`. When you build this chart, you will learn how to work with the following elements of state-transition charts:

Exclusive (OR) states. States that represent mutually exclusive modes of operation. No two exclusive (OR) states can ever be active or execute at the same time. Exclusive (OR) states are represented graphically by a solid rectangle:



The Air Controller chart contains six exclusive (OR) states:

- PowerOn
- PowerOff
- FAN1.On
- FAN1.Off
- FAN2.On
- FAN2.Off

Parallel (AND) states. States that represent independent modes of operation. Two or more parallel (AND) states at the same hierarchical level can be active concurrently, although they execute in a serial fashion. Parallel (AND) states are represented graphically by a dashed rectangle with a number indicating execution order:



The Air Controller chart contains three parallel (AND) states:

- FAN1
- FAN2
- SpeedValue

Transitions. Graphical objects that link one state to another and specify a direction of flow. Transitions are represented by unidirectional arrows:



The Air Controller chart contains six transitions, from

- PowerOn to PowerOff
- PowerOff to PowerOn
- FAN1.On to FAN1.Off
- FAN1.Off to FAN1.On
- FAN2.On to FAN2.Off
- FAN2.Off to FAN2.On

Default transitions. Graphical objects that specify which exclusive (OR) state is to be active when there is ambiguity between two or more exclusive (OR) states at the same level in the hierarchy. Default transitions are represented by arrows with a closed tail:



The Air Controller chart contains default transitions:

- At the chart level, the default transition indicates that the state PowerOff is activated (wakes up) first when the chart is activated.
- In the FAN1 and FAN2 states, the default transitions specify that the fans be powered off when the states are activated.

State actions. Actions executed based on the status of a state.

The Air Controller chart contains two types of state actions:

- entry (en) action in the PowerOff state. Entry actions are executed when the state is entered (becomes active).
- during (du) action in the SpeedValue state. During actions are executed for a state while it is active and no valid transition to another state is available.

Other types of state actions

There are other types of state actions besides entry and during, but they involve concepts that go beyond the scope of this guide. For more information, see “Syntax for States and Transitions”.

Conditions. Boolean expressions that allow a transition to occur when the expression is true. Conditions appear as labels for the transition, enclosed in square brackets ([]).

The Air Controller chart provides conditions on the transitions between FAN1.On and FAN1.Off, and between FAN2.On and FAN2.Off, based on the air temperature of the physical plant at each time step.

Events. Objects that can trigger a variety of activities, including:

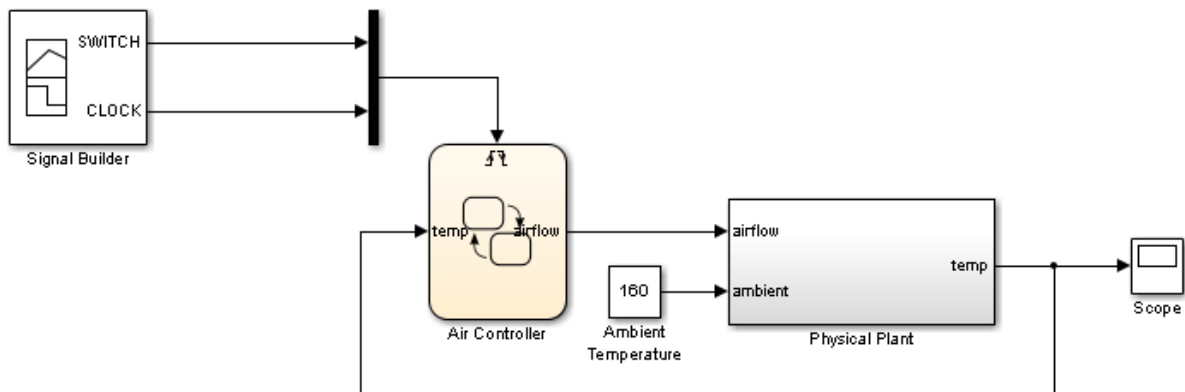
- Waking up a Stateflow chart
- Causing transitions to occur from one state to another (optionally in conjunction with a condition)
- Executing actions

The Air Controller chart contains two edge-triggered events:

- CLOCK wakes up the Stateflow chart at each rising or falling edge of a square wave signal.
- SWITCH allows transitions to occur between PowerOff and PowerOn at each rising or falling edge of a pulse signal.

How the Stateflow Chart Works with the Simulink Model

The Stateflow chart you will build appears as a block named Air Controller that is connected to the model of a physical plant in the Simulink `sf_aircontrol` model. Here is the top-level view of the model:

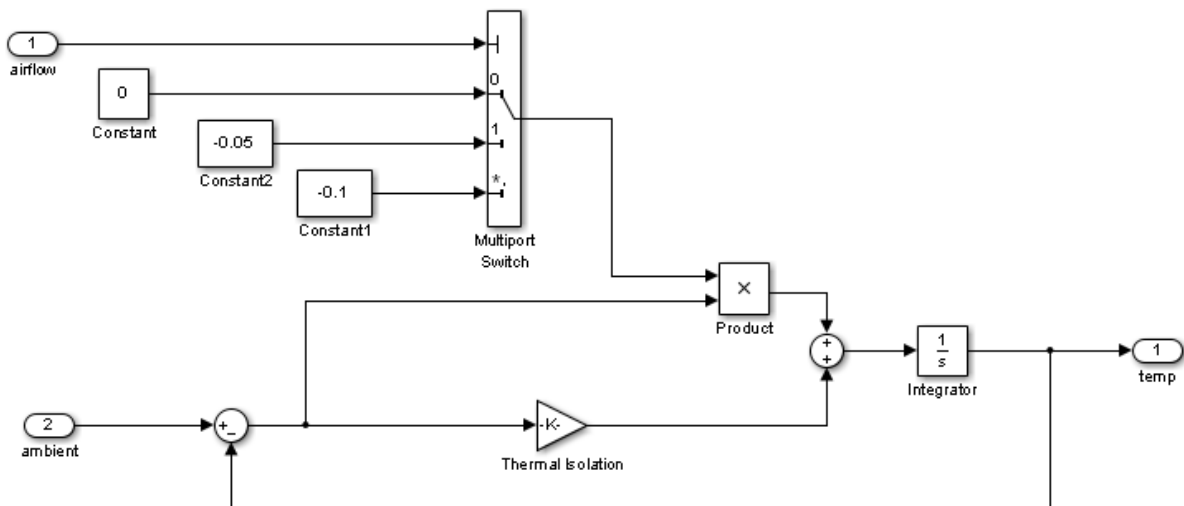


The Simulink model passes the temperature of the plant as an input `temp` to the Stateflow Air Controller block. Based on the temperature of the plant, the controller activates zero, one, or two fans, and passes back to the model an output value `airflow` that indicates how fast the air is flowing. The amount of cooling activity depends on the speed of the fans. As air flows faster, cooling activity increases. The model uses the value of `airflow` to simulate the effect of cooling when it computes the air temperature in the plant over time. You will learn more about these design elements in “Interface with Simulink”.

The Signal Builder block in the Simulink model sends a square wave signal (`CLOCK`) to wake up the Stateflow chart at regular intervals and a pulse signal (`SWITCH`) to cycle the power on and off for the control system modeled by the Stateflow chart. You will learn more about these design elements in “Implementing the Triggers” on page 7-2.

A Look at the Physical Plant

Simulink software models the plant using a subsystem called Physical Plant, which contains its own group of Simulink blocks. The subsystem provides a graphical hierarchy for the blocks that define the behavior of the Simulink model. The inputs, airflow speed and ambient temperature, model the effects of the controller activity on plant temperature. Here is a look inside the Physical Plant subsystem:



In this model, the internal temperature of the plant attempts to rise to achieve steady state with the ambient air temperature, set at a constant 160 degrees (as shown in “How the Stateflow Chart Works with the Simulink Model” on page 2-6). The rate at which the internal temperature rises depends in part on the degree of thermal isolation in the plant and the amount of cooling activity.

Thermal isolation measures how much heat flows into a closed structure, based on whether the structure is constructed of materials with insulation or conduction properties. Here, thermal isolation is represented by a Gain block, labeled Thermal Isolation. The Gain block provides a constant multiplier that is used in calculating the temperature in the plant over time.

Cooling activity is modeled using a constant multiplier, derived from the value of `airflow`, an output from the Stateflow chart. The chart assigns `airflow` one of three cooling factors, each a value that serves as an index into a multiport switch. Using this index, the multiport switch selects a cooling activity multiplier that is directly proportional to the cooling factor, as follows:

Cooling Factor (Value of Airflow)	What It Means	Cooling Activity
0	No fans are running. The value of <code>temp</code> is not lowered.	0
1	One fan is running. The value of <code>temp</code> is lowered by the cooling activity multiplier.	-0.05
2	Two fans are running. The value of <code>temp</code> is lowered by the cooling activity multiplier.	-0.1

Over time, the subsystem calculates the cooling effect inside the plant, taking into account thermal isolation and cooling activity. The cooling effect is the time-derivative of the temperature and is the input to the Integrator block in the Physical Plant subsystem. Let the variable `temp_change` represent the time derivative of temperature. Note that `temp_change` can be a warming or cooling effect, depending on whether it is positive or negative, based on this equation:

$$\text{temp_change} = ((\text{ambient} - \text{temp}) * (\text{thermal isolation multiplier})) + ((\text{ambient} - \text{temp}) * (\text{cooling factor}))$$

The Integrator block computes its output `temp` from the input `temp_change`, as follows:

$$temp(t) = \int_{t_0}^t temp_change(t) dt + 70$$

Note In this model, the initial condition of the Integrator block is 70 degrees.

`temp` is passed back to the Stateflow Air Controller chart to determine how much cooling is required to maintain the ideal plant temperature.

Running the Model

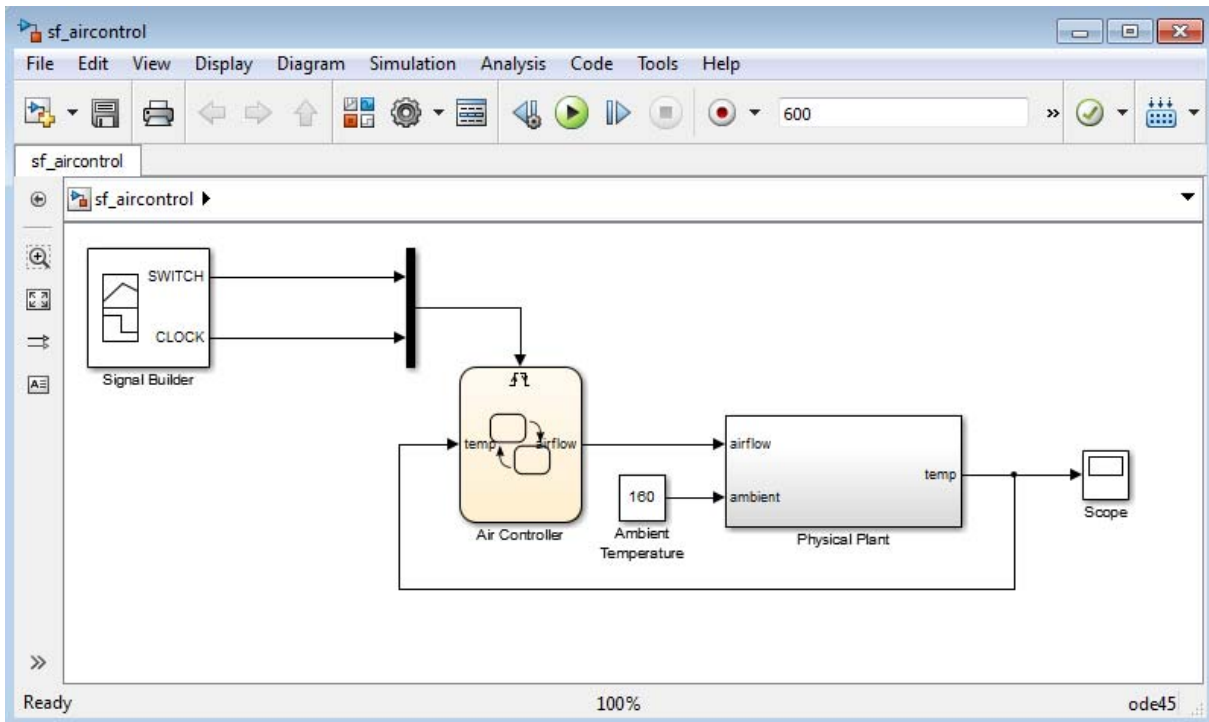
To see how the `sf_aircontrol` model works, you can run a completed, tested version, which includes the Stateflow chart you will build. Here's how to do it:

- 1 Start MATLAB software.

If you need instructions, consult your MATLAB documentation.

- 2 Type `sf_aircontrol` at the command line.

This command starts Simulink software and opens the `sf_aircontrol` model:



- 3 Double-click the Air Controller block to open the Stateflow chart.

-
- 4 Double-click the Scope block to display the changes in temperature over time as the model runs.

Tip Position the Air Controller chart and the Scope window so they are both visible on your desktop.

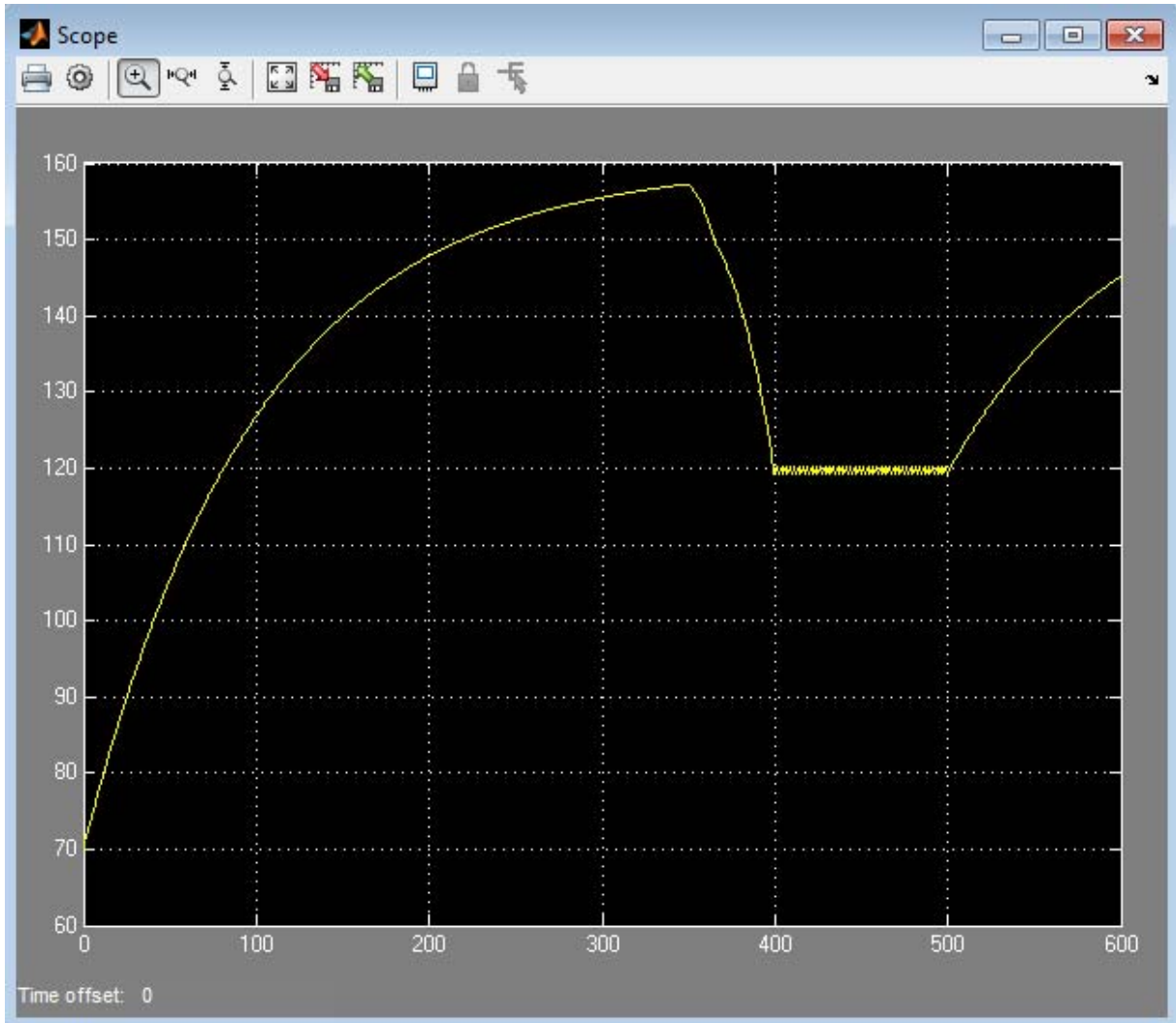
- 5 Start simulation in the Air Controller chart by selecting **Simulation > Run**.

As the simulation runs, the chart becomes active (wakes up) in the PowerOff state. Notice in the Scope that until PowerOn becomes active, the temperature rises unchecked. After approximately 350 seconds into the simulation, a rising edge signal switches power on and the fans become active.

Note Simulation time can be faster than elapsed time.

When the temperature rises above 120 degrees, FAN1 cycles on. When the temperature exceeds 150 degrees, FAN2 cycles on to provide additional cooling. Ultimately, FAN1 succeeds in maintaining the temperature at 120 degrees until a falling edge signal switches power off again at 500 seconds. Then, the temperature begins to rise again.

The Scope captures the temperature fluctuations:



Stopping or pausing simulation

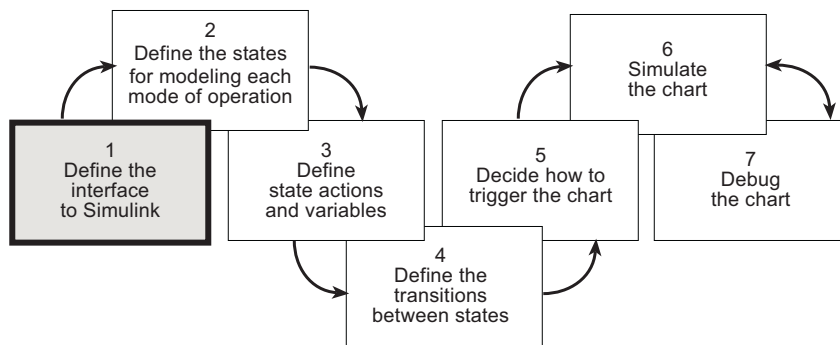
You can stop or pause simulation at any time.

- To stop simulation, select **Simulation > Stop**.
- To pause simulation, select **Simulation > Pause**.

6 Close the model.

Where to go next. Now you are ready to start building the Air Controller chart. Begin at phase 1 of the workflow: “Implementing the Interface with Simulink” on page 3-2.

Defining the Interface to the Simulink Model



In phase 1 of this workflow, you *define the interface to the Simulink model*.

Implementing the Interface with Simulink

In this section...

“Build It Yourself or Use the Supplied Model” on page 3-2

“Design Considerations for Defining the Interface” on page 3-2

“Adding a Stateflow Block to a Simulink Model” on page 3-4

“Defining the Inputs and Outputs” on page 3-8

“Connecting the Stateflow Block to the Simulink Subsystem” on page 3-15

Build It Yourself or Use the Supplied Model

To implement the interface yourself, work through the exercises in this section. Otherwise, open the supplied model by entering this command at the MATLAB prompt:

```
addpath(fullfile(docroot, 'toolbox', 'stateflow', 'gs', 'examples'))
Stage1Interface
```

Design Considerations for Defining the Interface

The following sections describe the rationale for the input and output of the Stateflow chart.

Inputs Required from Simulink Model

Type of Input. Temperature of the physical plant

Rationale. The purpose of the chart is to control the air temperature in a physical plant. The goal is to maintain an ideal temperature of 120 degrees by activating one or two cooling fans if necessary. The chart must check the plant temperature over time to determine the amount of cooling required.

Properties of Input. The properties of the temperature input are as follows:

Property	Value
Name	temp
Scope	Input
Size	Inherit from Simulink input signal for compatibility
Data type	Inherit from Simulink input signal for compatibility
Port	1
Watch in debugger	Enable

Outputs Required from Stateflow Chart

Type of Output. Speed of airflow, based on how many fans are operating

Rationale. When the Simulink subsystem determines the temperature of the physical plant over time, it needs to account for the speed of the airflow. Airflow speed is directly related to the amount of cooling activity generated by the fans. As more fans are activated, cooling activity increases and air flows faster. To convey this information, the Stateflow chart outputs a value that indicates whether 0, 1, or 2 fans are running. The Simulink subsystem uses this value as an index into a multiplex switch, which outputs a cooling activity value, as described in “A Look at the Physical Plant” on page 2-7.

Properties of Output. The properties of the airflow output are as follows:

Property	Value
Name	airflow
Scope	Output
Data type	8-bit unsigned integer (uint8) (The values can be only 0, 1, or 2.)
Port	1
Watch in debugger	Enable

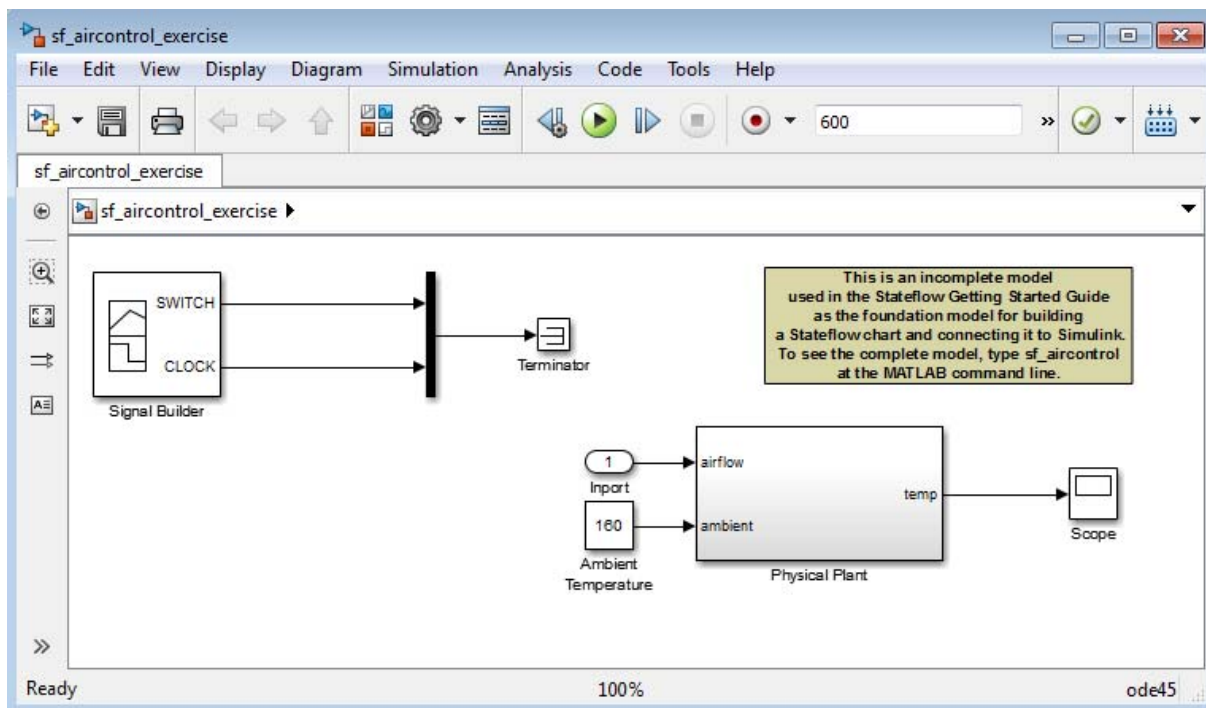
Adding a Stateflow Block to a Simulink Model

To begin building your Stateflow chart, you will add a Stateflow block to a partially built Simulink model called `sf_aircontrol_exercise`, which contains the Physical Plant subsystem, described in “A Look at the Physical Plant” on page 2-7.

To add a Stateflow block to an existing Simulink model:

- 1 Open the Simulink model by typing `sf_aircontrol_exercise` at the MATLAB command prompt.

The model opens on your desktop:

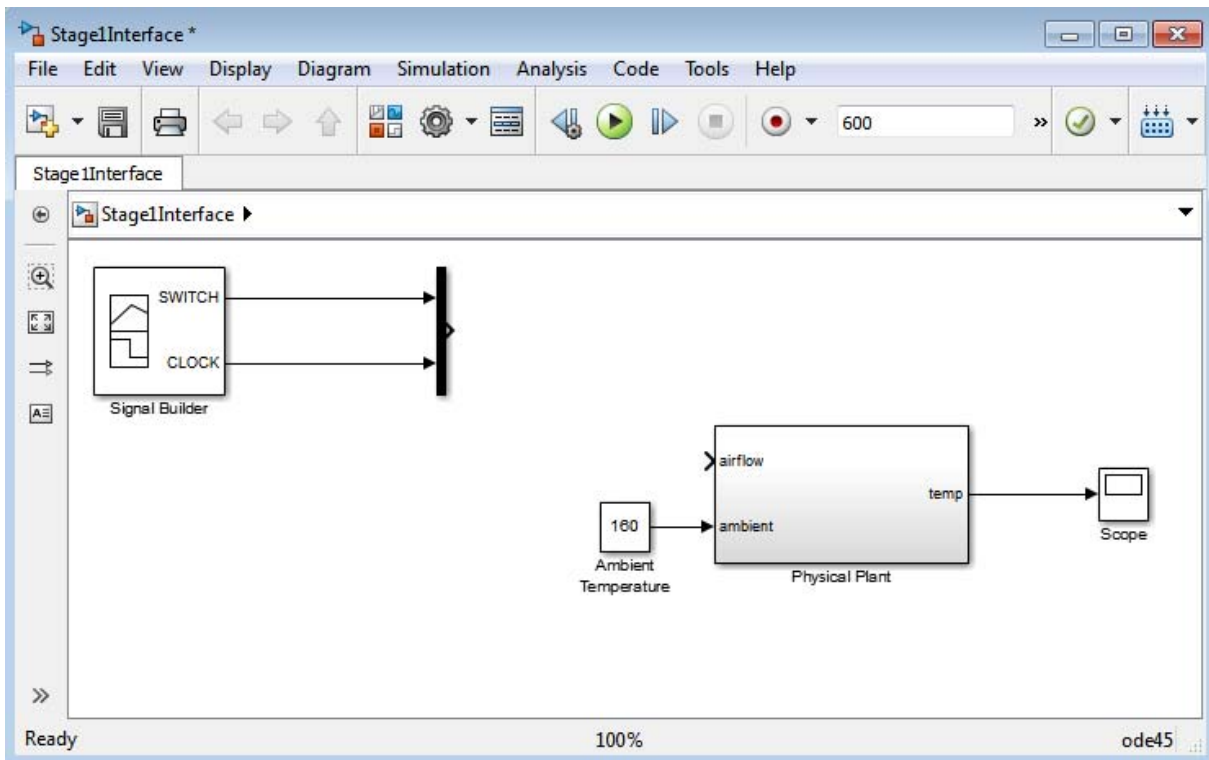


The model is incomplete because it does not include the Stateflow chart that you will build as you work through the exercises in this guide. Instead, the model contains several nonfunctional blocks: the Terminator, Inport, and Annotation blocks.

- 2 Delete the nonfunctional blocks and their connectors.

Tip Hold down the **Shift** key to select multiple objects, and then press **Delete**.

Your model should now look like this:



- 3 Save the model as **Stage1Interface**:
 - a Create a *new* local folder for storing your working model.
 - b In the Simulink model window, select **File > Save As**.
 - c Navigate to the new folder.

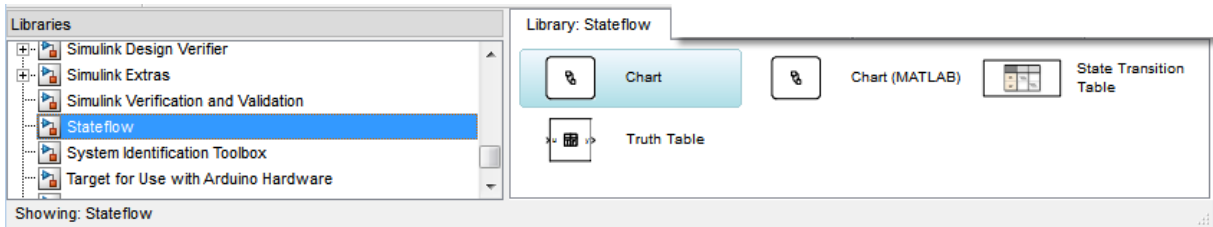
3 Defining the Interface to the Simulink® Model

- d Enter **Stage1Interface** as the file name.
- e Leave the default type as **Simulink Models**.
- f Click **Save**.

4 On the toolbar of the Simulink model, click the Library Browser icon:

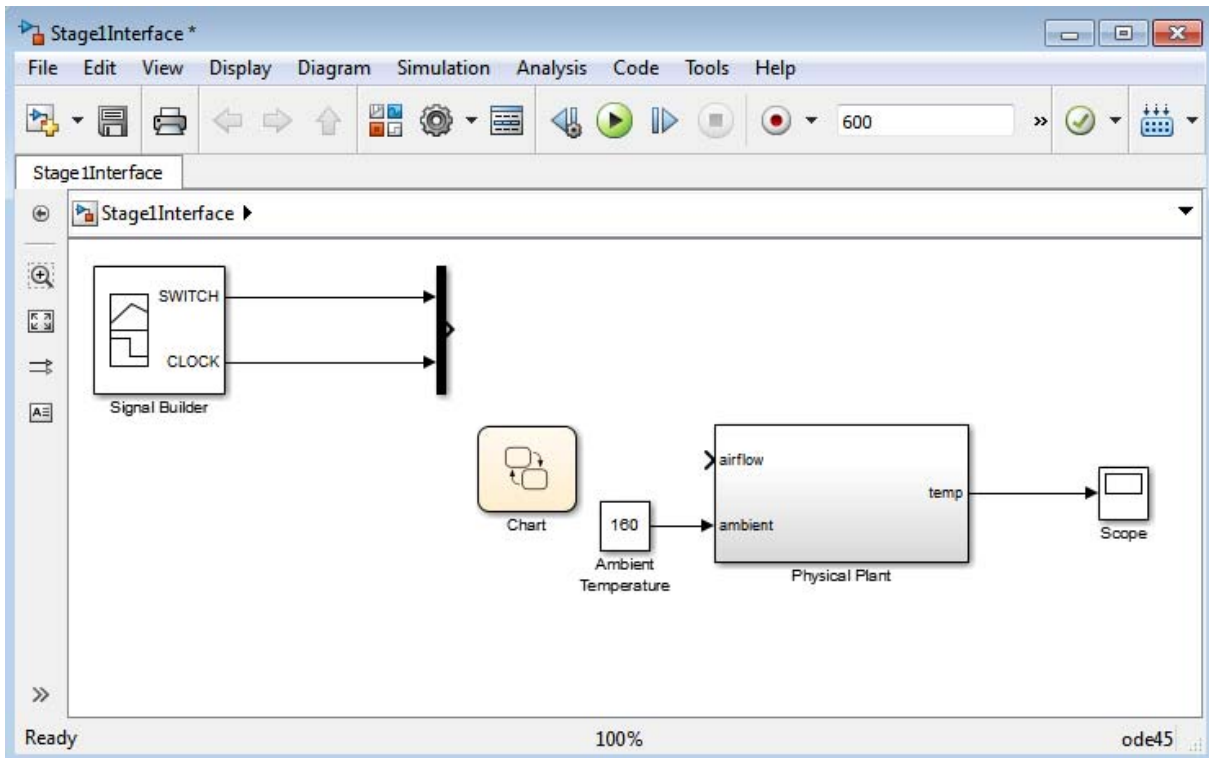


The Simulink Library Browser opens on your desktop:



- 5 Add the Stateflow Chart block to the Simulink model:
 - a In the left scroll pane of the Library Browser, select **Stateflow**.
 - b Drag the first block, called **Chart**, into your model.

The model should now look like this:



- 6 Click the label Chart under the Stateflow block and rename it Air Controller.

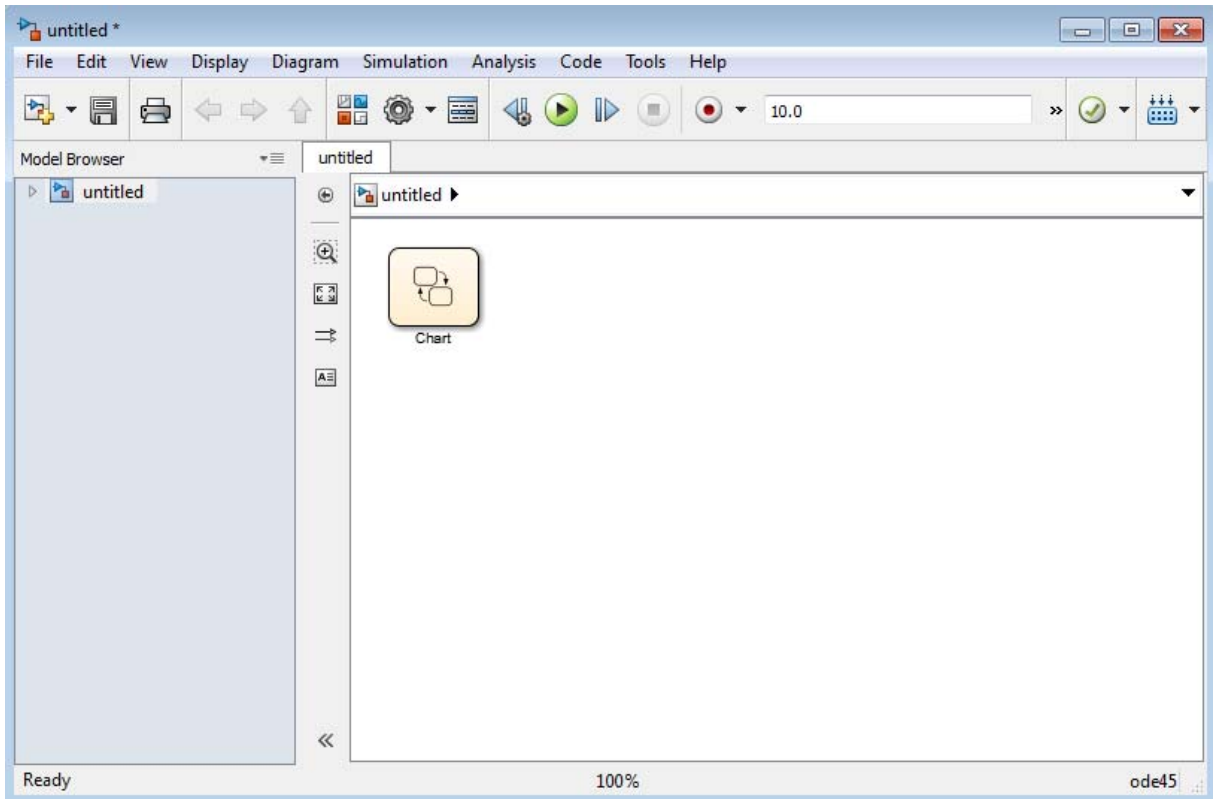
Shortcut for adding a Stateflow block to a new Simulink model

At the MATLAB command prompt, enter this command:

```
sfnew
```

3 Defining the Interface to the Simulink® Model

A new, untitled Simulink model opens on your desktop, automatically configured with a Stateflow block:

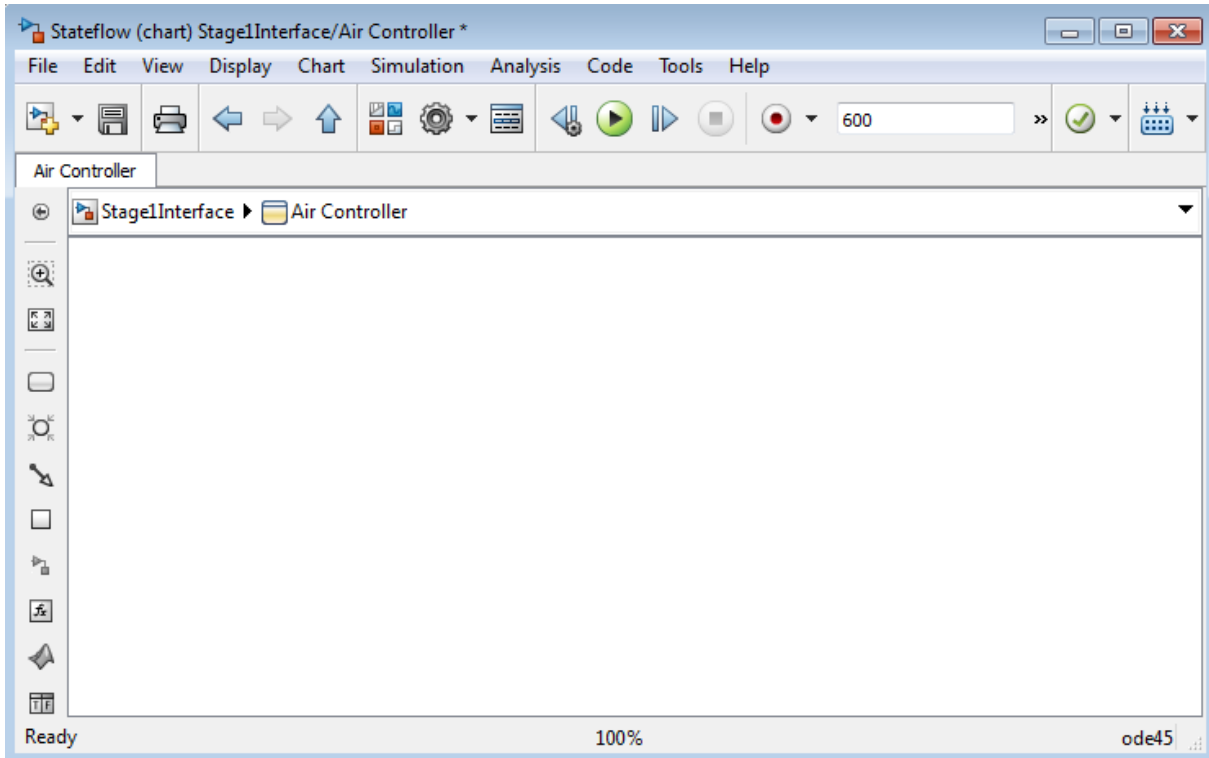


Defining the Inputs and Outputs

Inputs and outputs are data elements in a Stateflow chart that interact with the parent Simulink model. To define inputs and outputs for your chart, follow these steps:

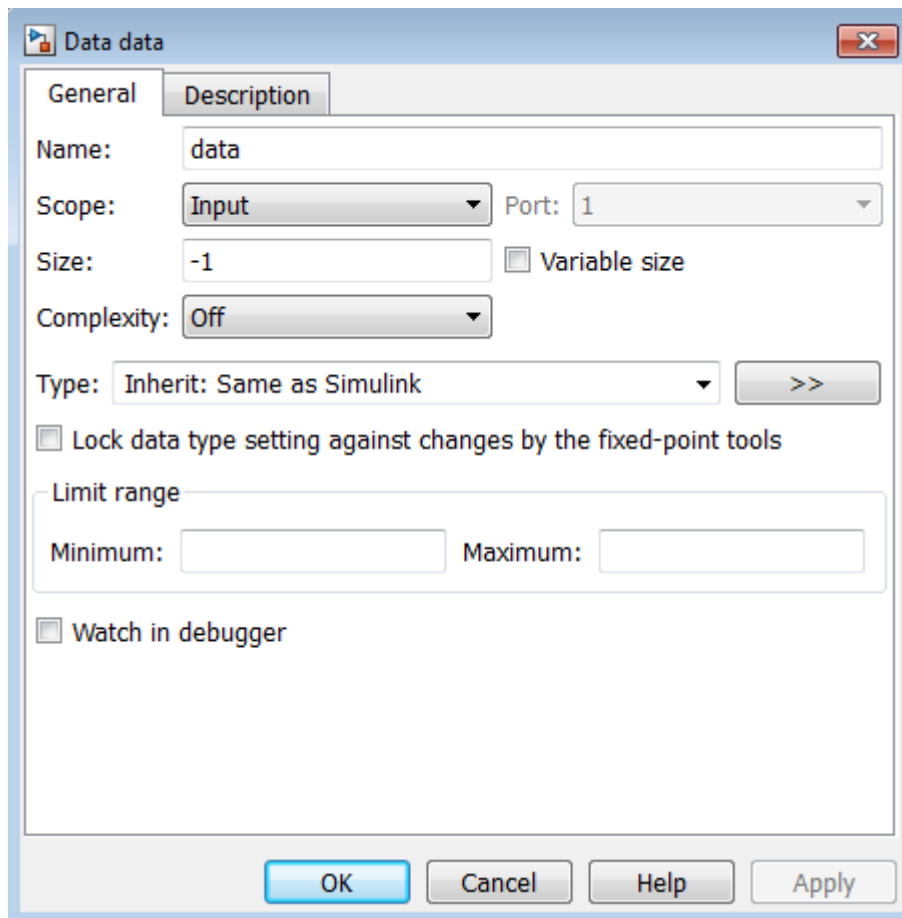
- 1 Double-click the Air Controller block in the Simulink model Stage1Interface to open the Stateflow chart.

The Stateflow Editor opens on your desktop:



- 2 Add a data element to hold the value of the temperature input from the Simulink model:
 - a In the editor menu, select **Chart > Add Inputs & Outputs > Data Input From Simulink**.

The Data properties dialog box opens on your desktop with the **General** tab selected:



The default values in the dialog box depend on the scope — in this case, a data input.

- b** In the **Name** field, change the name of the data element to temp.

- c Leave the following fields at their default values in the **General** tab because they meet the design requirements:

Field	Default Value	What It Means
Scope	Input	Input from Simulink model. The data element gets its value from the Simulink signal on the same input port.
Size	- 1	The data element inherits its size from the Simulink signal on the same port.
Complexity	Off	The data element does not contain any complex values.
Type	Inherit: Same as Simulink	The data element inherits its data type from the Simulink signal on the same output port.

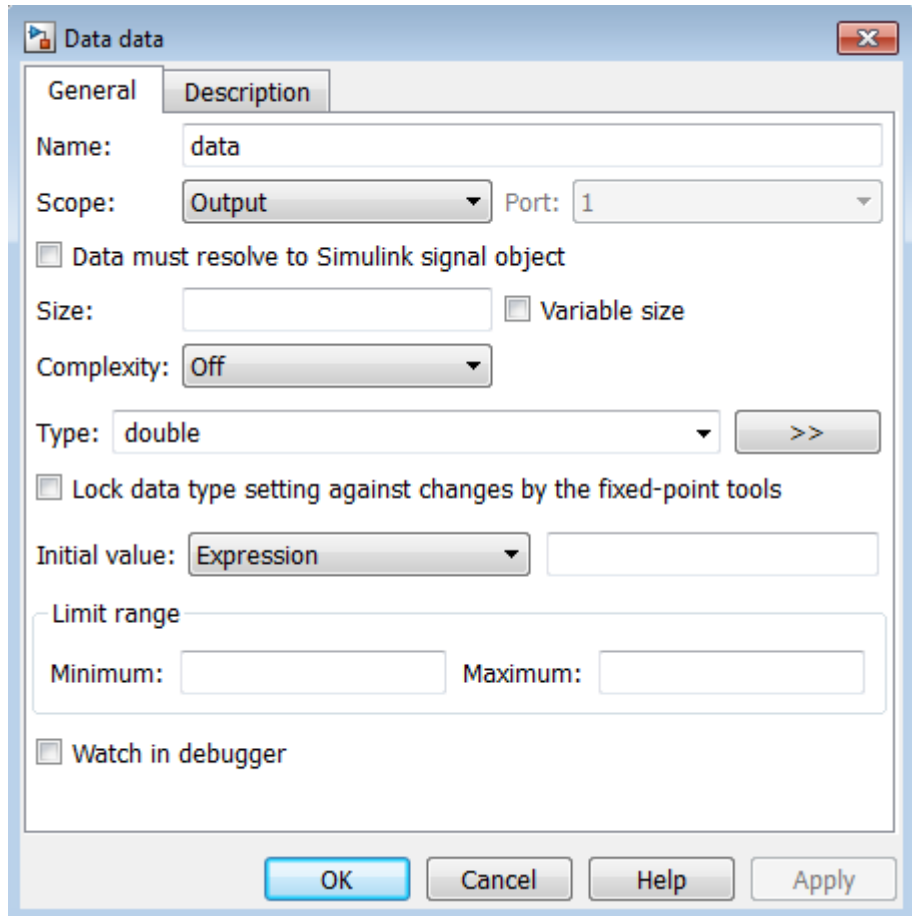
Note Ports are assigned to inputs and outputs in the order they are created. Because `temp` is the first *input* you created, it is assigned to *input port 1*.

- d In the **General** tab, select the **Watch in debugger** check box.

Enabling **Watch in debugger** lets you examine the value of `temp` during breakpoints in simulation. You will try this in “Setting Simulation Parameters and Breakpoints” on page 8-2.

- e Click **OK** to apply the changes and close the dialog box.
- 3 Add a data element to hold the value of the airflow output from the Air Controller chart:
- a In the editor menu, select **Chart > Add Inputs & Outputs > Data Output To Simulink**.

The Data properties dialog box opens on your desktop, this time with different default values, associated with the scope **Output**:



Note Because *airflow* is the first *output* you created, it is assigned to *output port 1*.

- b** In the **Name** field of the Data properties dialog box, change the name of the data element to *airflow*.

- c In the **Type** field, select `uint8` (8-bit unsigned integer) from the submenu.
- d Look at the **Initial value** field.

The initial value is a blank expression, which indicates a default value of zero, based on the data type. This value is consistent with the model design, which specifies that no fans are running when the chart wakes up for the first time.

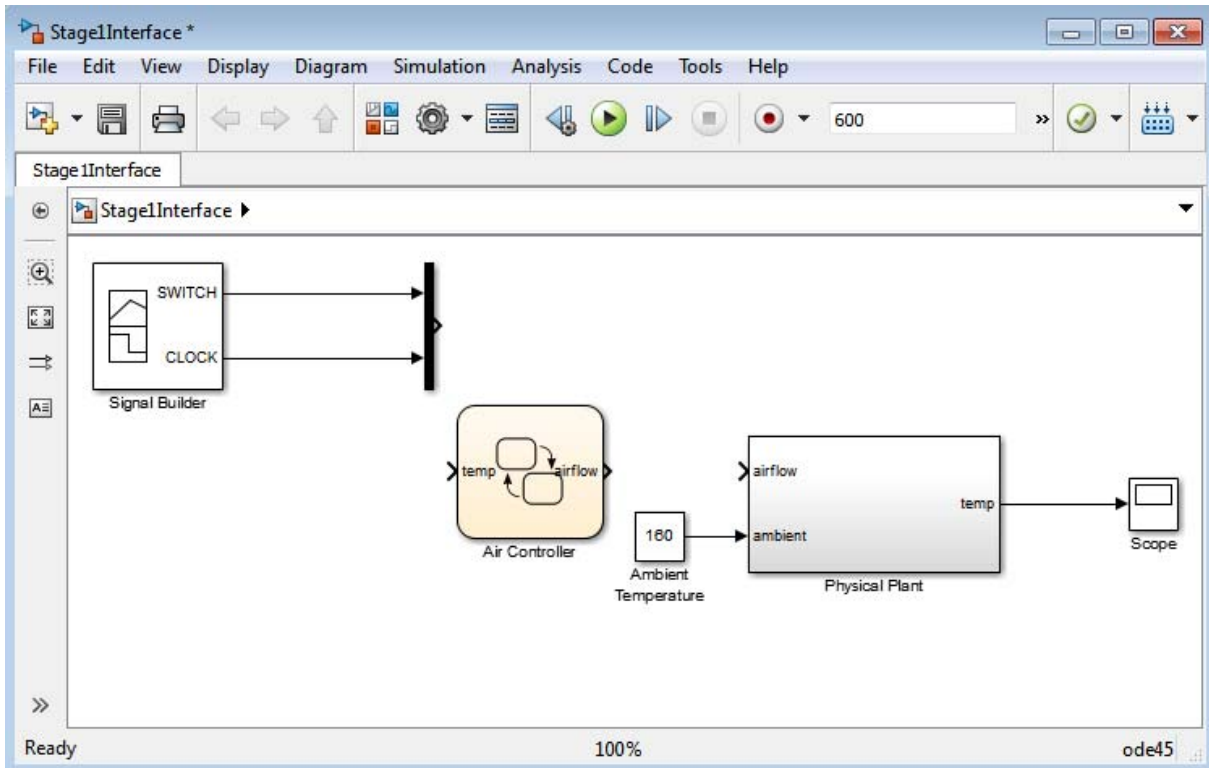
- e Make the following changes for other properties in the **General** tab:

Property	What to Specify
Limit range	Enter 0 for Minimum and 2 for Maximum .
Watch in debugger	Select the check box to enable this option.

- f Click **OK** to apply the changes and close the dialog box.
- 4** Go back to the Simulink model by clicking the up-arrow button in the Stateflow Editor toolbar.

3 Defining the Interface to the Simulink® Model

Notice that the input `temp` and output `airflow` have been added to the Stateflow block:



Tip You might need to enlarge the Air Controller block to see the input and output clearly. To change the size of the block:

- a Select the block and move your pointer over one of the corners until it changes to this shape:



- b Hold down the left mouse button and drag the block to the desired size.

5 Save Stage1Interface.

Tip There are several ways to add data objects to Stateflow charts. You used the Stateflow Editor, which lets you add data elements to the Stateflow chart that is open and has focus. However, to add data objects not just to a chart, but anywhere in the Stateflow design hierarchy, you can use a tool called the Model Explorer. This tool also lets you view and modify the data objects you have already added to a chart. For more information, see “Stateflow Hierarchy of Objects” and “How to Add Data Using the Model Explorer” in the Stateflow User’s Guide. You can also add data objects programmatically using the Stateflow API, as described in “Create Stateflow Objects” in the Stateflow API Guide.

Connecting the Stateflow Block to the Simulink Subsystem

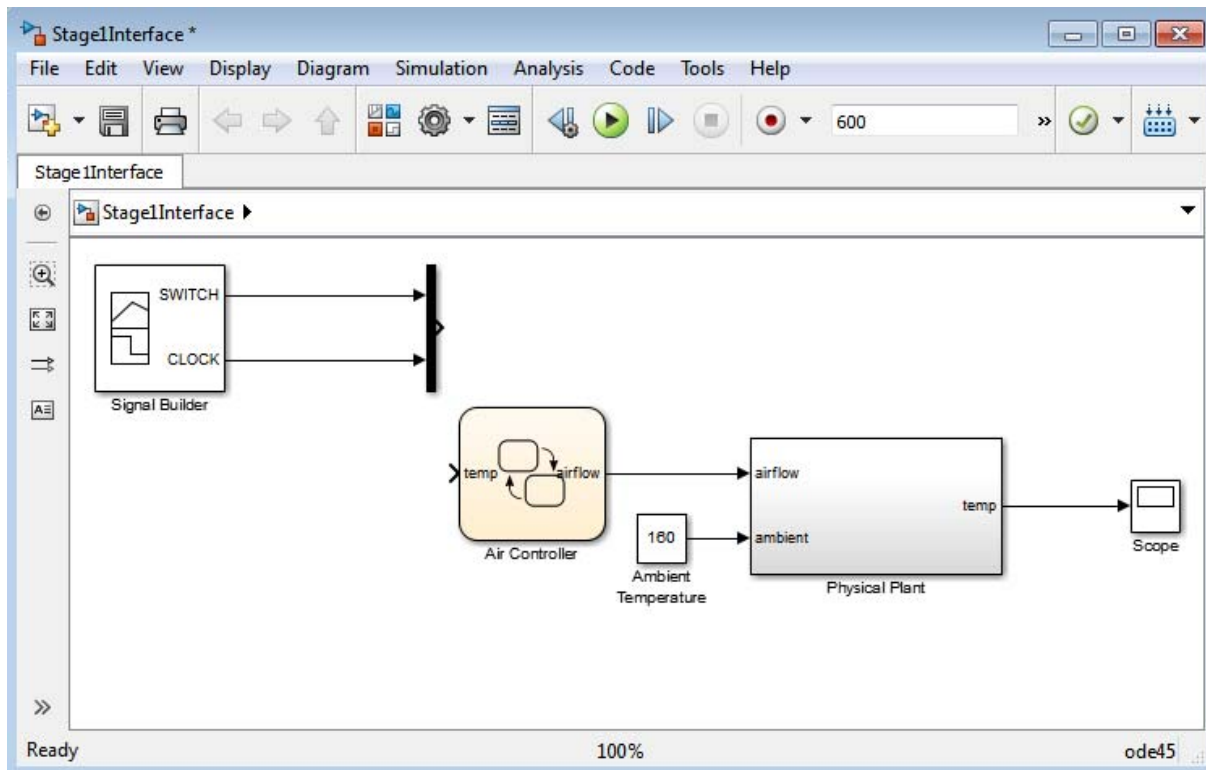
Now that you have defined the inputs and outputs for the Stateflow Air Controller block, you need to connect them to the corresponding signals of the Simulink Physical Plant subsystem. Follow these steps:

- 1** In the model Stage1Interface, connect the output `airflow` from Air Controller to the corresponding input in Physical Plant:
 - a** Place your pointer over the output port for `airflow` on the right side of the Air Controller block.

The pointer changes in shape to crosshairs.

- b** Hold down the left mouse button and move the pointer to the input port for `airflow` on the left side of the Physical Plant block.
- c** Release the mouse.

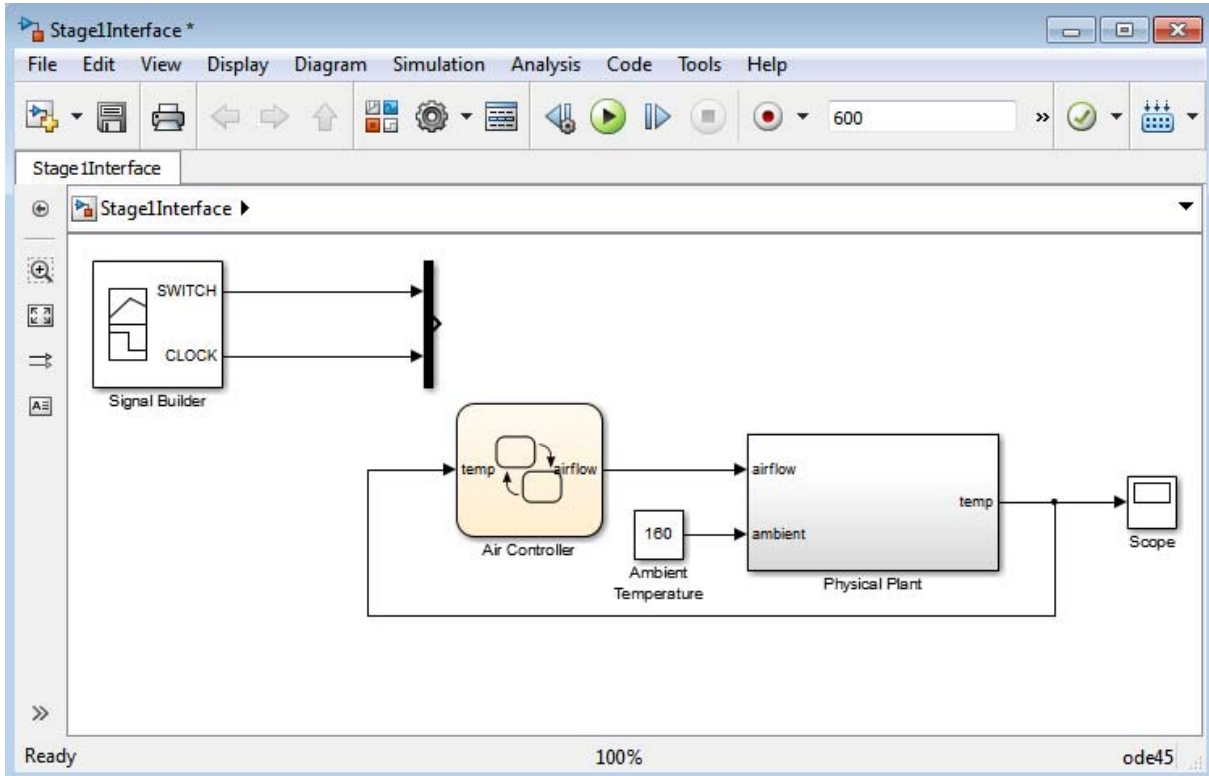
The connection should look something like this:



Tip You can use a shortcut for automatically connecting blocks. Select the source block, and then hold down the **Ctrl** key and left-click the destination block.

- 2 Connect the output temp from the Physical Plant to the corresponding input in Air Controller by drawing a branch line from the line that connects temp to the Scope:
 - a Place your pointer on the line where you want the branch line to start.
 - b While holding down the **Ctrl** key, press and hold down the left mouse button.

- c Drag your pointer to the input port for `temp` on the left side of the Air Controller block.
- d Release the mouse button and the **Ctrl** key.
- e Reposition the connection so that it looks like this:

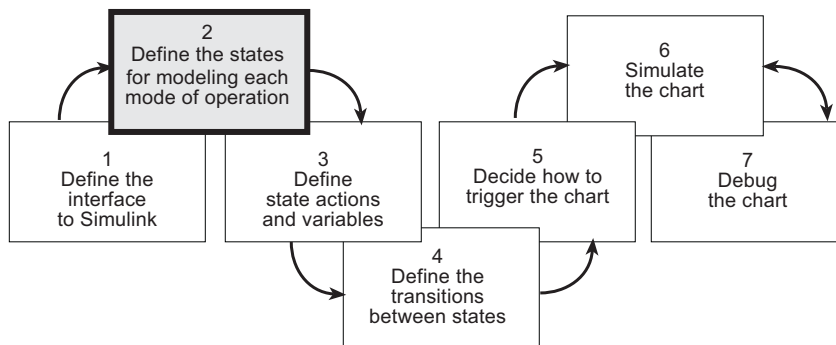


Tip To reposition connections, move your cursor over the end of the line. When the cursor changes to a circle, select the end of the line with the left mouse button and drag the line to a new location. For more information, see “Connect Blocks”.

3 Save Stage1Interface.

Where to go next. Now you are ready to model the operating modes with states. See “Implementing the States to Represent Operating Modes” on page 4-2.

Defining the States for Modeling Each Mode of Operation



In phase 2 of this workflow, you *define the states for modeling each mode of operation*.

Implementing the States to Represent Operating Modes

In this section...

“Build It Yourself or Use the Supplied Model” on page 4-2

“Design Considerations for Defining the States” on page 4-2

“Adding the Power On and Power Off States” on page 4-7

“Adding and Configuring Parallel States” on page 4-10

“Adding the On and Off States for the Fans” on page 4-16

Build It Yourself or Use the Supplied Model

To implement the states yourself, work through the exercises in this section. Otherwise, open the supplied model by entering this command at the MATLAB prompt:

```
addpath(fullfile(docroot, 'toolbox', 'stateflow', 'gs', 'examples'))  
Stage2States
```

Design Considerations for Defining the States

The following sections describe the rationale for the hierarchy and decomposition of states in the chart.

When to Use States

Whether or not to use states depends on the control logic you want to implement. You can model two types of control logic: *finite state machines* and *stateless flow charts*. Each type is optimized for different applications, as follows:

Control Logic	Optimized for Modeling
Finite state machines	Physical systems that transition between a finite number of operating modes. In Stateflow charts, you represent each mode as a state.
Stateless flow charts	Abstract logic patterns — such as <code>if</code> , <code>if-else</code> , and <code>case</code> statements — and iterative loops — such as <code>for</code> , <code>while</code> , and <code>do</code> loops. You represent these logic constructs with connective junctions and transitions in Stateflow charts. No states are required. See “Decision Logic”.

The Air Controller chart is a system that cools a physical plant by transitioning between several modes of operation and, therefore, can be modeled as a finite state machine. In the following sections, you will design the states that model each mode of operation.

Determining the States to Define

States model modes of operation in a physical system. To determine the number and type of states required for your Air Controller chart, you must identify each mode in which the system can operate. Often, a table or grid is helpful for analyzing each mode and determining dependencies between modes.

Analysis of Operating Modes. For Air Controller, the modes of operation are

Operating Mode	Description	Dependencies
Power Off	Turns off all power in the control system	No fan can operate when power is off.
Power On	Turns on all power in the control system	Zero, one, or two fans can operate when power is on.
Fan 1	Activates Fan 1	Fan 1 can be active at the same time as Fan 2. When activated, Fan 1 can turn on or off.

Operating Mode	Description	Dependencies
Fan 1 On	Cycles on Fan 1	Fan 1 On can be active if Fan 1 is active and power is on.
Fan 1 Off	Cycles off Fan 1	Fan 1 Off can be active if Fan 1 is active, and power is on.
Fan 2	Activates Fan 2	Fan 2 can be active at the same time as Fan 1. When activated, Fan 2 can turn on or off.
Fan 2 On	Cycles on Fan 2	Fan 2 On can be active if Fan 2 is active and power is on.
Fan 2 Off	Cycles off Fan 2	Fan 2 Off can be active if Fan 2 is active and power is on.
Calculate airflow	Calculates a constant value of 0, 1, or 2 to indicate how fast air is flowing. Outputs this value to the Simulink subsystem for selecting a cooling factor.	Calculates the constant value, based on how many fans have cycled on at each time step.

Number of States to Define. The number of states depends on the number of operating modes to be represented. In “Analysis of Operating Modes” on page 4-3, you learned that the Air Controller chart has nine operating modes. Therefore, you need to define nine states to model each mode. Here are the names you will assign to the states that represent each operating mode in “Implementing the States to Represent Operating Modes” on page 4-2:

State Name	Operating Mode
PowerOff	Power Off
PowerOn	Power On
FAN1	Fan 1
FAN2	Fan 2

State Name	Operating Mode
SpeedValue	Calculate airflow
FAN1.On	Fan 1 On
FAN1.Off	Fan 1 Off
FAN2.On	Fan 2 On
FAN2.Off	Fan 2 Off

Note Notice the use of dot notation to refer to the On and Off states for FAN1 and FAN2. You use namespace dot notation to give objects unique identifiers when they have the same name in different parts of the chart hierarchy.

Determining the Hierarchy of States

Stateflow objects can exist in a hierarchy. For example, states can *contain* other states — referred to as *substates* — and, in turn, can *be contained by* other states — referred to as *superstates*. You need to determine the hierarchical structure of states you will define for the Air Controller chart. Often, dependencies among states imply a hierarchical relationship — such as parent to child — between the states.

Based on the dependencies described in “Analysis of Operating Modes” on page 4-3, here is an analysis of state hierarchy for the Air Controller chart:

Dependent States	Implied Hierarchy
FAN1 and FAN2 depend on PowerOn. No fan can operate unless PowerOn is active.	FAN1 and FAN2 should be substates of a PowerOn state.
FAN1.On and FAN1.Off depend on Fan1 and PowerOn. FAN1 must be active before it can be cycled on or off.	FAN1 should have two substates, On and Off. In this hierarchical relationship, On and Off will inherit from FAN1 the dependency on PowerOn.

Dependent States	Implied Hierarchy
FAN2.On and FAN2.Off depend on FAN2 and PowerOn. FAN2 must be active before it can be cycled on or off.	FAN2 should have two substates, On and Off. In this hierarchical relationship, On and Off will inherit from FAN2 the dependency on PowerOn.
The state that calculates airflow needs to know how many fans are running at each time step.	The state that calculates airflow should be a substate of PowerOn so it can check the status of FAN1 and FAN2 at the same level of hierarchy.

Determining the Decomposition of States

The *decomposition* of a state dictates whether its substates execute exclusively of each other — as *exclusive (OR) states* — or can be activated at the same time — as *parallel (AND) states*. No two exclusive (OR) states can ever be active at the same time, while any number of parallel (AND) states can be activated concurrently.

The Air Controller chart requires both types of states. Here is a breakdown of the exclusive (OR) and parallel (AND) states required for the Stateflow chart:

State	Decomposition	Rationale
PowerOff, PowerOn	Exclusive (OR) states	The power can never be on and off at the same time.
FAN1, FAN2	Parallel (AND) states	Zero, one, or two fans can operate at the same time, depending on how much cooling is required.
FAN1.On, FAN1.Off	Exclusive (OR) states	Fan 1 can never be on and off at the same time.
FAN2.On, FAN2.Off	Exclusive (OR) states	Fan 2 can never be on and off at the same time.
SpeedValue	Parallel (AND) state	SpeedValue is an observer state that monitors the status of Fan 1 and Fan 2, updating its output based on how many fans are operating at each time step. SpeedValue must be activated at the same time as Fan 1 and Fan 2, but execute last so it can capture the most current status of the fans.

Adding the Power On and Power Off States

When you add states to the Air Controller chart, you will work from the top down in the Stateflow hierarchy. As you learned in “Determining the Decomposition of States” on page 4-6, the PowerOff and PowerOn states are exclusive (OR) states that turn power off and on in the control system. These states are never active at the same time. By default, states are exclusive (OR) states, represented graphically as rectangles with solid borders.

To add PowerOn and PowerOff to your chart, follow these steps:

- 1 Open the model `Stage1Interface` — either the one you created in the previous exercise or the supplied model for stage 1.

To open the supplied model, enter the following command at the MATLAB prompt:

```
addpath(fullfile(docroot, 'toolbox', 'stateflow', 'gs', 'examples'))
Stage1Interface
```

- 2 Save the model as **Stage2States** in your local work folder.
- 3 In **Stage2States**, double-click the Air Controller block to open the Stateflow chart.

The Stateflow Editor for Air Controller opens on your desktop. Notice the object palette on the left side of the editor window. This palette displays a set of tools for drawing graphical chart objects, including states:

- 4 Left-click the state tool icon:



- 5 Move your pointer into the drawing area.

The pointer changes to a rectangle, the graphical representation of a state.

- 6 Click in the upper-left corner of the drawing area to place the state.

The new state appears with a blinking text cursor in its upper-left corner.

- 7 At the text cursor, type **PowerOn** to name the state.

Tip If you click away from the text cursor before typing the new name, the cursor changes to a question mark. Click the question mark to restore the text cursor.

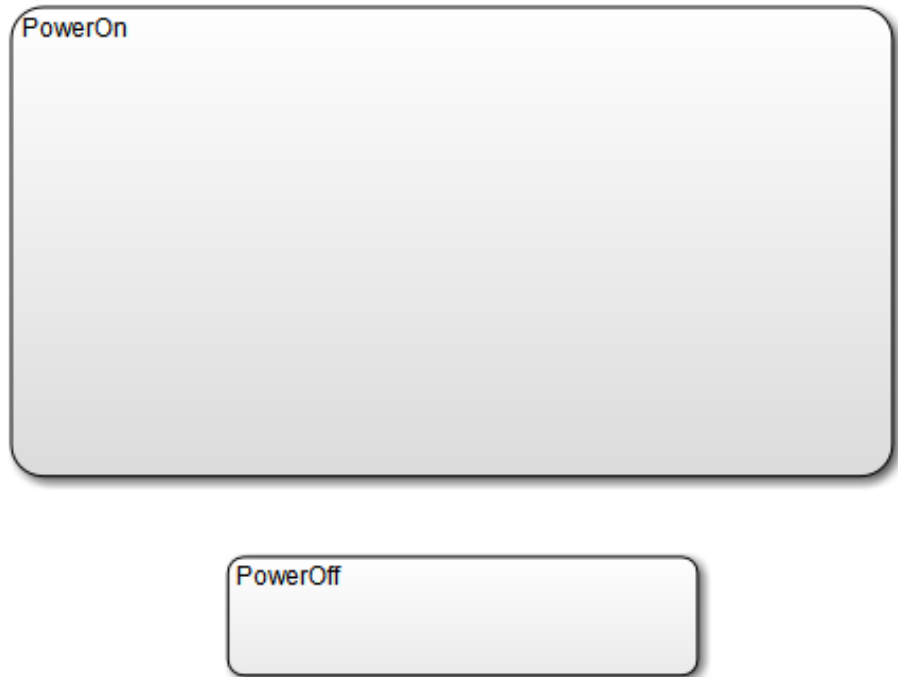
- 8 Move your pointer to the lower-right corner of the rectangle so it changes to this symbol:



- 9 Drag the lower-right corner to enlarge the state as shown:



- 10 Click the state tool icon again and draw a smaller state named `PowerOff` at the bottom of the drawing area, like this:



- 11 Save the chart by selecting **File > Save** in the Stateflow Editor, but leave the chart open for the next exercise.

Adding and Configuring Parallel States

In “Determining the States to Define” on page 4-3, you learned that `FAN1`, `FAN2`, and `SpeedValue` will be represented by parallel (AND) substates of the `PowerOn` state. Parallel states appear graphically as rectangles with dashed borders.

In this set of exercises, you will learn how to:

- Assign parallel decomposition to `PowerOn` so its substates can be activated concurrently.

Recall that the decomposition of a state determines whether its substates will be exclusive or parallel.

- Add parallel substates to a state in the chart.
- Set the order of execution for the parallel substates.

Even though parallel states can be activated concurrently, they execute in a sequential order.

Setting Parallel Decomposition

Follow these steps:

- 1 In the Air Controller chart, right-click inside `PowerOn`.

A submenu opens, presenting tasks you can perform and properties you can set for the selected state.

- 2 In the submenu, select **Decomposition > AND (Parallel)**.

- 3 Save the model `Stage2States`, but leave the chart open for the next exercise.

Adding the Fan States

Follow these steps:

- 1 Left-click the state tool icon in the Stateflow Editor and place two states inside the `PowerOn` state.

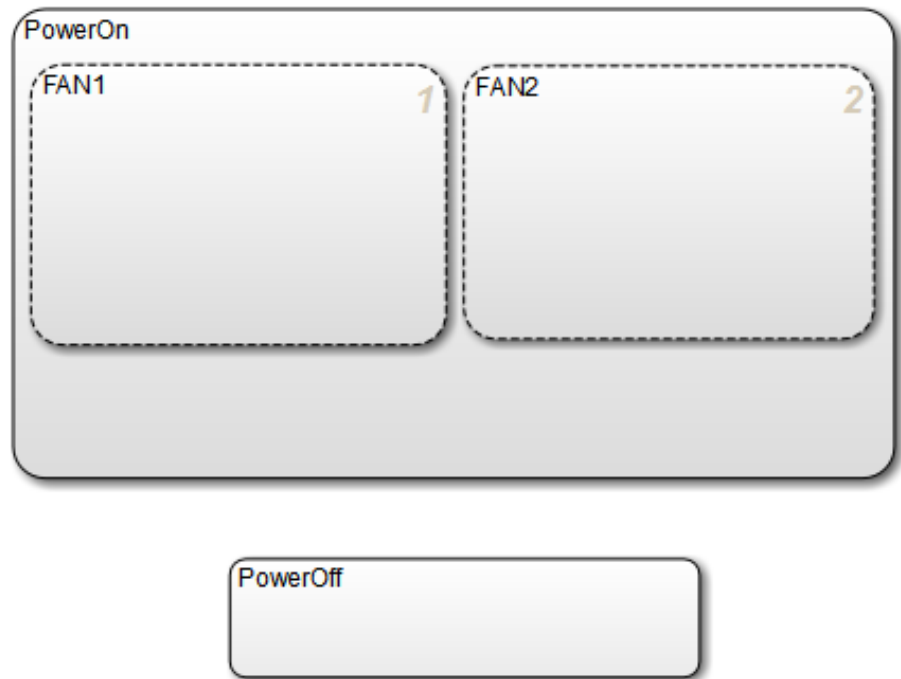
Tip Instead of using the state tool icon to add multiple states, you can right-click inside an existing state and drag a copy to a new position in the chart. This shortcut is convenient when you need to create states of the same size and shape, such as the fan states.

- 2** Notice the appearance of the states you just added.

The borders of the two states appear as dashed lines, indicating that they are parallel states. Note also that the substates display numbers in their upper-right corners. These numbers specify the order of execution. Although multiple parallel (AND) states in the same chart are activated concurrently, the chart must determine when to execute each one during simulation.

- 3** Name the new substates FAN1 and FAN2.

You have created hierarchy in the Air Controller chart. PowerOn is now a superstate while FAN1 and FAN2 are substates. Your chart should look something like this:



Note Your chart might not show the same execution order for parallel substates FAN1 and FAN2. The reason is that, by default, Stateflow software orders parallel states based on order of creation. If you add FAN2 before FAN1 in your chart, FAN2 moves to the top of the order. You will fine-tune order of activation in a later exercise, “Setting Explicit Ordering of Parallel States” on page 4-14.

Tip If you want to move a state together with its substates — and any other graphical objects it contains — double-click the state. It turns gray, indicating that the state is grouped with the objects inside it and that they can be moved as a unit. To ungroup the objects, double-click the state again.

- 4 Save the model Stage2States, but leave the chart open for the next exercise.

Adding the SpeedValue State

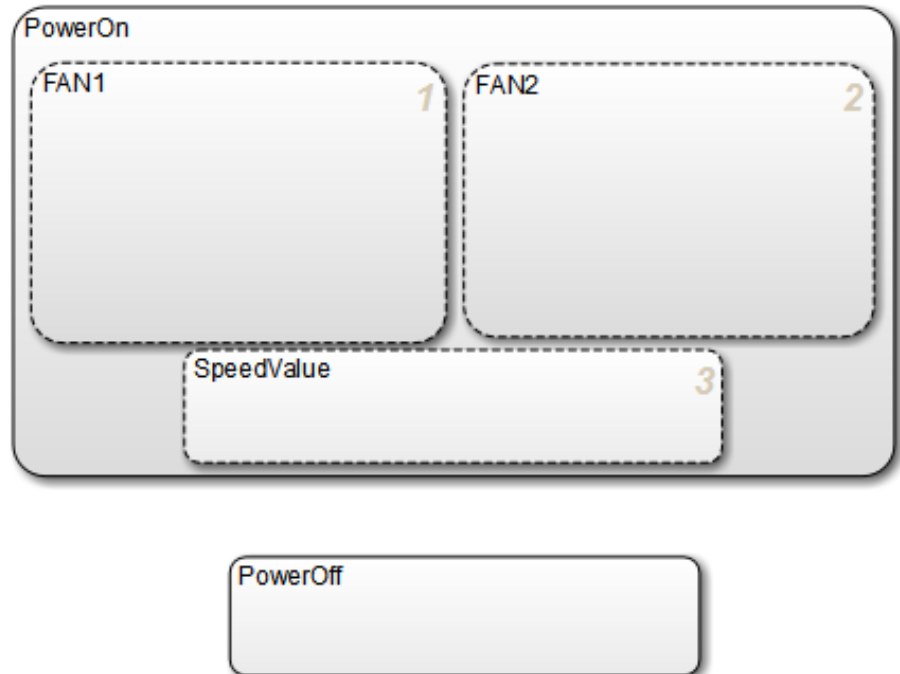
Recall that SpeedValue acts as an observer state, which monitors the status of the FAN1 and FAN2 states. To add the SpeedValue state, follow these steps:

- 1 Add another substate to PowerOn under FAN1 and FAN2, either by using the state tool icon or copying an existing state in the chart.

You might need to resize the substate to prevent overlap with other substates, but remain within the borders of PowerOn.

2 Name the state SpeedValue.

Like FAN1 and FAN2, SpeedValue appears as a parallel substate because its parent, the superstate PowerOn, has parallel decomposition.



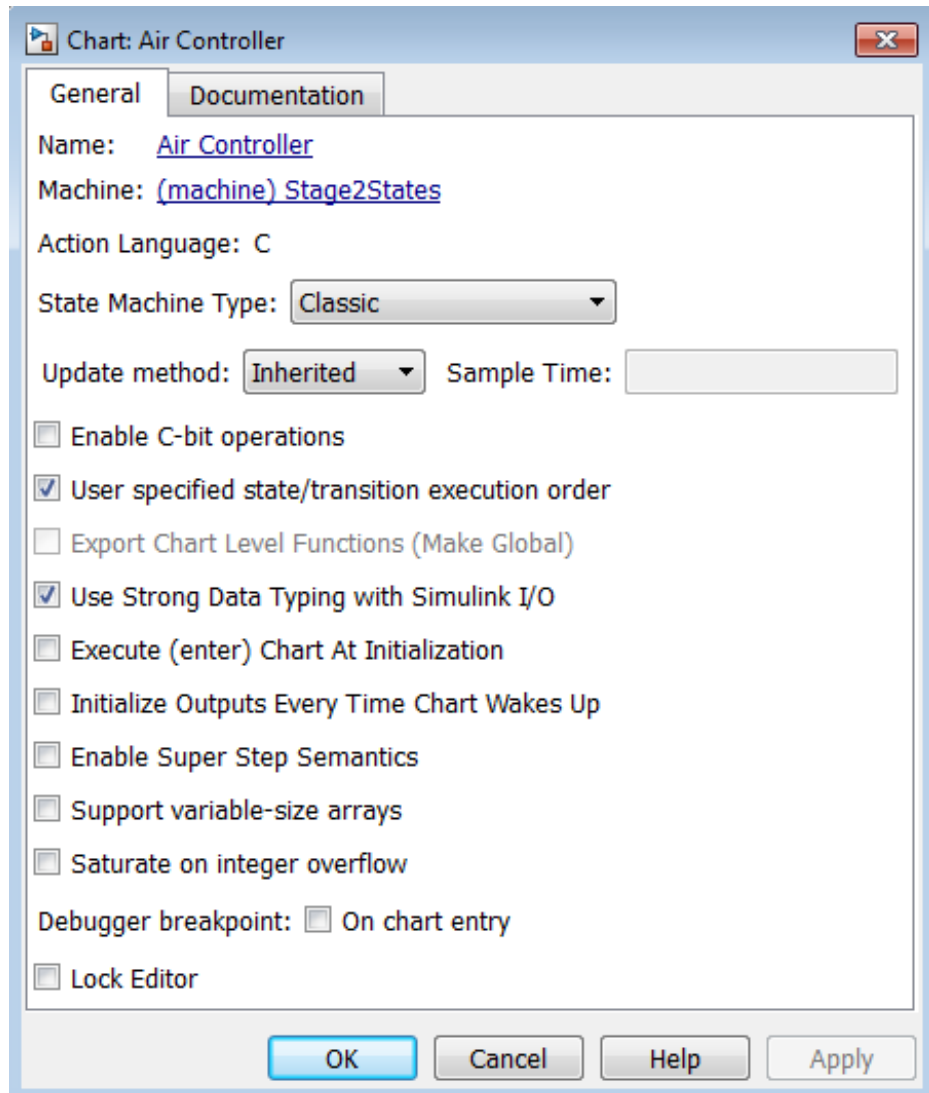
3 Save the model Stage2States, but leave the chart open for the next exercise, “Setting Explicit Ordering of Parallel States” on page 4-14.

Setting Explicit Ordering of Parallel States

Recall that, by default, Stateflow software assigns execution order of parallel states based on order of creation in the chart. This behavior is called *explicit ordering*. In this exercise, you will set the execution order explicitly for each parallel state in your chart.

1 In the Stateflow Editor, select **File > Model Properties > Chart Properties**.

- 2 In the Chart properties dialog box, verify that the check box **User specified state/transition execution order** is selected and click **OK**.



Note This option also lets you explicitly specify the order in which transitions execute when there is a choice of transitions to take from one state to another. This behavior does not apply to the Air Controller chart because it is deterministic: for each exclusive (OR) state, there is one and only one transition to a next exclusive (OR) state. You will learn more about transitions in “Drawing the Transitions Between States” on page 6-4.

- 3 Assign order of execution for each parallel state in the Air Controller chart:
 - a Right-click inside each parallel state to bring up its state properties submenu.
 - b From the submenu, select **Execution Order** and make these assignments:

For State:	Assign:
FAN1	1
FAN2	2
SpeedValue	3

Here is the rationale for this order of execution:

- FAN1 should execute first because it cycles on at a lower temperature than FAN2.
 - SpeedValue should execute last so it can observe the most current status of FAN1 and FAN2.
- 4 Save the model Stage2States, but leave the chart open for the next exercise, “Adding the On and Off States for the Fans” on page 4-16.

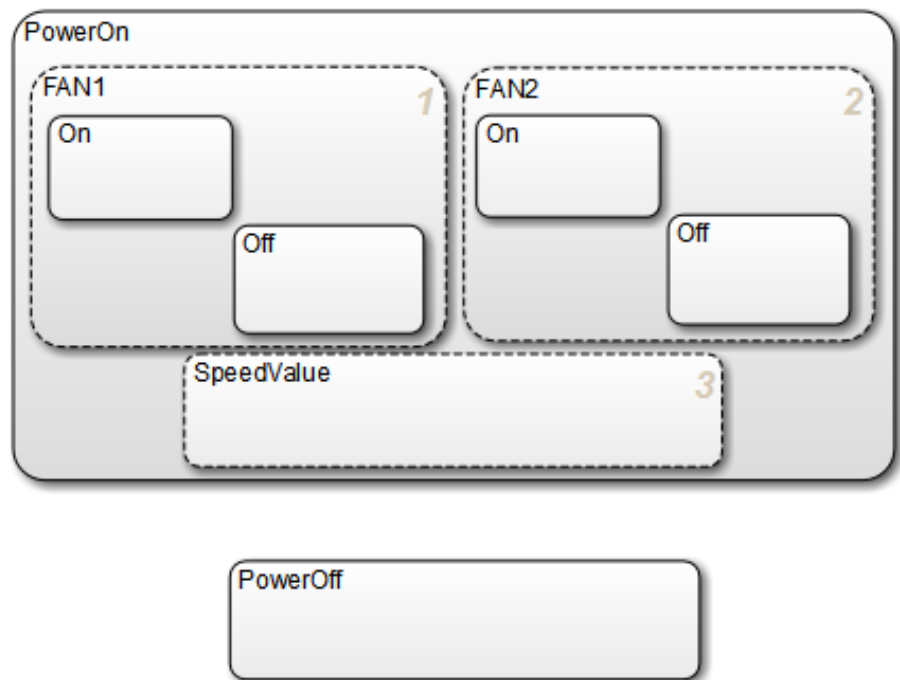
Adding the On and Off States for the Fans

In this exercise, you will enter the on and off substates for each fan. Because fans cannot cycle on and off at the same time, these states must be exclusive, not parallel. Even though FAN1 and FAN2 are parallel states, their *decomposition* is exclusive (OR) by default. As a result, any substate that you add to FAN1 or FAN2 will be an exclusive (OR) state.

Follow these steps:

- 1 Add two substates inside FAN1 and FAN2.
- 2 Resize the substates to fit within the borders of FAN1 and FAN2.
- 3 In each fan state, name one substate On and name the other Off.

Your Air Controller chart should now look something like this:

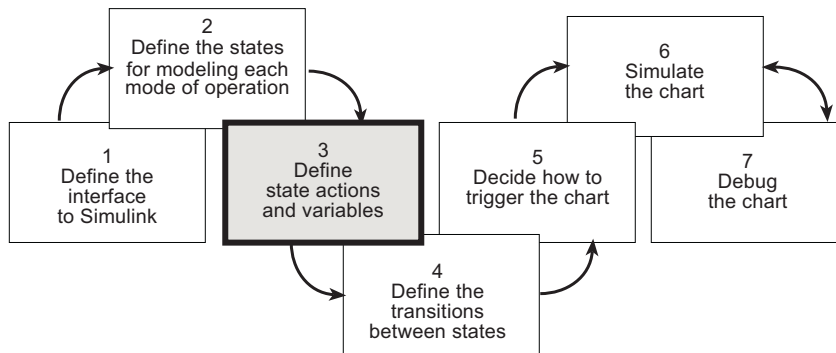


- 4 Save the model Stage2States.

Where to go next. Now you are ready to specify the actions that execute when a state is active. See “Implementing State Actions” on page 5-2.

4 Defining the States for Modeling Each Mode of Operation

Defining State Actions and Variables



In phase 3 of this workflow, you *define state actions and variables*.

Implementing State Actions

In this section...

“Build It Yourself or Use the Supplied Model” on page 5-2

“Design Considerations for Defining State Actions and Variables” on page 5-2

“Writing an Entry Action” on page 5-4

“Writing a During Action” on page 5-6

Build It Yourself or Use the Supplied Model

To implement the state actions yourself, work through the exercises in this section. Otherwise, open the supplied model to see how the actions should appear in the states. Enter this command at the MATLAB prompt:

```
addpath(fullfile(docroot, 'toolbox', 'stateflow', 'gs', 'examples'))
Stage3Actions
```

Design Considerations for Defining State Actions and Variables

The following sections describe the decisions you make for defining state actions and variables.

Deciding Whether to Use State Variables

At this stage of the workflow for developing Stateflow charts, you must determine if any of your states require local or persistent variables. If so, you define these data elements using the Stateflow Editor or the Model Explorer, as described in “Add Data” in the Stateflow User’s Guide.

The states in the Air Controller chart do not require local or persistent data, only the input and output data that you defined in “Defining the Inputs and Outputs” on page 3-8.

Deciding Whether to Use State Actions

During simulation of a Stateflow chart, states can perform actions while they are active. Often, actions are used to manipulate data, using a variety

of constructs such as binary, bitwise, unary, assignment, and type cast operators.

When building the Air Controller chart, you need to determine whether any states should perform actions. Some charts do not use state actions at all, but instead perform actions only during the transitions from state to state. Other charts require both types of state actions.

For the Air Controller chart, think about whether data values need to be initialized or modified during any of its modes of operation. Recall that the chart receives the air temperature of the plant as the input `temp` from the Physical Plant subsystem. The chart then uses this value to activate fans if necessary to cool the air. Based on how many fans are running, the chart sets a value that indicates speed of airflow, which it sends at each time step to the Simulink subsystem as the output `airflow`. The Air Controller does not modify the value of `temp`, but does need to update the value of `airflow`.

The next consideration is when to update, and for that matter, initialize the value of `airflow`. If the *when* translates to a mode of operation, the action should likely be performed by the state that represents that mode of operation. Here is the analysis for the Air Controller chart:

Action	When	How
Initialize <code>airflow</code> to 0.	Before simulation	Set an initial value when you first define <code>airflow</code> (as you did in “Defining the Inputs and Outputs” on page 3-8).
Set <code>airflow</code> to 0.	Whenever power is off	Add an action in the state <code>PowerOff</code> .
Update <code>airflow</code> to 0, 1, or 2, based on how many fans are running.	Whenever power is on	Add an action in the state <code>SpeedValue</code> , which becomes active concurrently with <code>FAN1</code> and <code>FAN2</code> when the state <code>PowerOn</code> is active.

Deciding the Type of State Action to Use

States perform actions at different phases of their execution cycle from the time they become active to the time they become inactive. Three basic state actions are:

Type of Action	When Executed	How Often Executed While State Is Active
Entry	When the state is entered (becomes active)	Once
During	While the state is active and no valid transition to another state is available	At every time step
Exit	Before a transition is taken to another state	Once

For example, you can use **entry** actions to initialize data, **during** actions to update data, and **exit** actions to configure data for the next transition. (There are other types of state actions, but they involve concepts that go beyond the scope of this guide. For more information, see “Syntax for States and Transitions”.)

Based on the requirements in “Deciding Whether to Use State Actions” on page 5-2, you will write the following state actions for the Air Controller chart:

- Entry action in state `PowerOff` to set `airflow` to 0
- During action in state `SpeedValue` to calculate the value of `airflow` at every time step

Writing an Entry Action

The syntax for entry actions is

```
entry:one or more actions;  
en:one or more actions;
```

To write the entry action for `PowerOff`, follow these steps:

- 1 Open the model `Stage2States` — either the one you created in the previous exercises or the supplied model for stage 2.

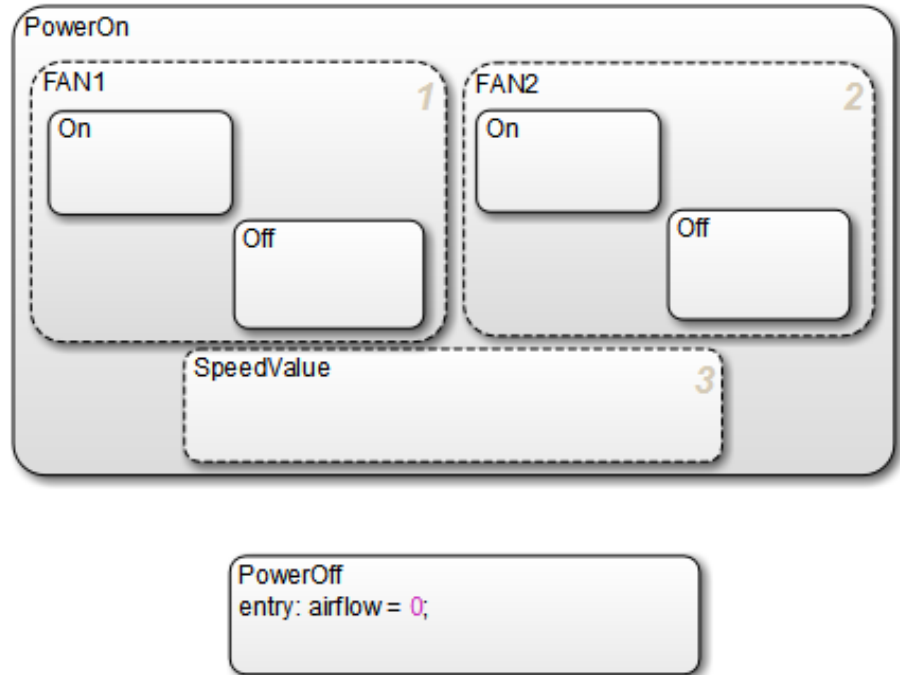
To open the supplied model, enter the following command at the MATLAB prompt:

```
addpath(fullfile(docroot, 'toolbox', 'stateflow', 'gs', 'examples'))
Stage2States
```

- 2 Save the model as `Stage3Actions` in your local work folder.
- 3 In `Stage3Actions`, double-click the Air Controller block to open the Stateflow chart.
- 4 Click inside the `PowerOff` state after the last letter of its name label to get a blinking text cursor.
- 5 Press the **Enter** key and type

```
entry: airflow = 0;
```

Your chart should look like this:



6 Save Stage3Actions, but leave the chart open for the next exercise.

Writing a During Action

The syntax for during actions is

```
during:one or more actions;
du:one or more actions;
```

The during action for SpeedValue uses a Boolean expression to determine whether zero, one, or two fans are running at each time step.

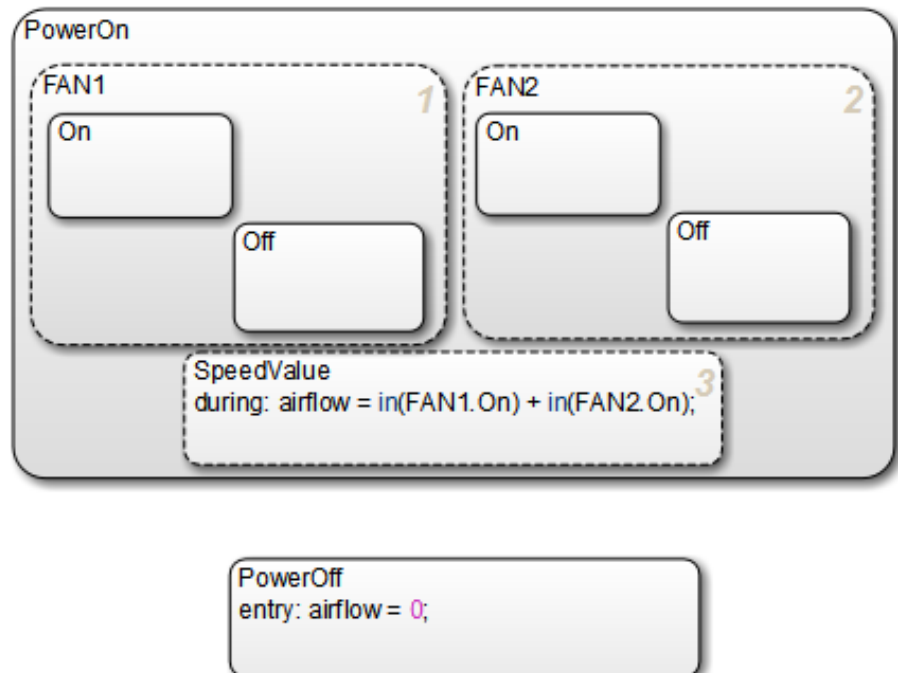
To write the during action for SpeedValue, follow these steps:

- 1 Click inside the SpeedValue state after the last letter of its name label to get a blinking text cursor.

2 Press the **Enter** key and type

```
during: airflow = in(FAN1.On) + in(FAN2.On);
```

Your chart should look like this:

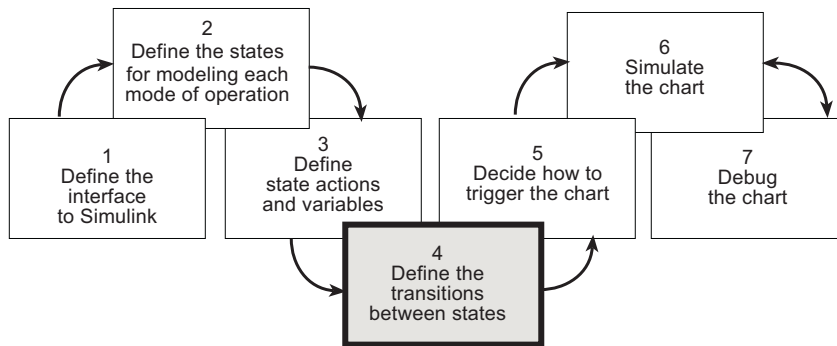


The Boolean expression `in(FAN1.On)` is true — and its value equals 1 — if the **On** state of FAN1 is active. If FAN1 is not on — that is, its **Off** state is active or power is off — then `in(FAN1.On)` equals 0. Similarly, the value of `in(FAN2.On)` represents whether FAN2 is on or off. Therefore, the sum of these Boolean expressions indicates whether 0, 1, or 2 fans are operating during each time step.

3 Save the model `Stage3Actions`.

Where to go next. Now you are ready to specify conditions for when state-to-state transitions occur. See “Adding the Transitions” on page 6-2.

Defining Transitions Between States



In phase 4 of this workflow, you *define the transitions between states*.

Adding the Transitions

In this section...
“Build It Yourself or Use the Supplied Model” on page 6-2
“Design Considerations for Defining Transitions Between States” on page 6-2
“Drawing the Transitions Between States” on page 6-4
“Adding Default Transitions” on page 6-8
“Adding Conditions to Guard Transitions” on page 6-11
“Adding Events to Guard Transitions” on page 6-13

Build It Yourself or Use the Supplied Model

To add the transitions yourself, work through the exercises in this section. Otherwise, open the supplied model to see how the transitions should appear in the chart. Enter this command at the MATLAB prompt:

```
addpath(fullfile(docroot, 'toolbox', 'stateflow', 'gs', 'examples'))  
Stage4Transitions
```

Design Considerations for Defining Transitions Between States

The following sections describe the decisions you make for defining state transitions.

Deciding How and When to Transition Between Operating Modes

Transitions create paths for the logic flow of a system from one state to another. When a transition is taken from state A to state B, state A becomes inactive and state B becomes active.

Transitions have direction and are represented in a Stateflow chart by lines with arrowheads. Transitions are unidirectional, not bidirectional. You must add a transition for each direction of flow between two states.

Exclusive (OR) states require transitions. Recall that no two exclusive states can be active at the same time. Therefore, you need to add transitions to specify when and where control flows from one exclusive state to another.

Typically, parallel (AND) states do not require transitions because they execute concurrently.

The Air Controller chart models a system in which power can cycle on and off and, while power is on, fans can cycle on and off. Six exclusive (OR) states represent these operating modes. To model this activity, you need to add the following transitions between exclusive (OR) states:

- PowerOff to PowerOn
- PowerOn to PowerOff
- FAN1.Off to FAN1.On
- FAN1.On to FAN1.Off
- FAN2.Off to FAN2.On
- FAN2.On to FAN2.Off

Deciding Where to Place Default Transitions

Good design practice requires that you specify default transitions for exclusive (OR) states at each level of hierarchy. *Default transitions* indicate which exclusive (OR) state is to be active when there is ambiguity between two or more exclusive (OR) states at the same level in the Stateflow hierarchy. There are three such areas of ambiguity in the Air Controller chart:

- When the chart wakes up, should power be on or off?
- When FAN1 becomes active, should it be on or off?
- When FAN2 becomes active, should it be on or off?

In each case, the initial state should be off so you will add default transitions to the states PowerOff, FAN1.Off, and FAN2.Off.

Deciding How to Guard the Transitions

Guarding a transition means specifying a condition, action, or event that allows the transition to be taken from one state to another. Based on the design of the Air Controller chart, here are the requirements for guarding the transitions from one exclusive operating mode to another:

Transition	When Should It Occur?	How to Guard It
PowerOff to PowerOn	At regular time intervals	Specify an edge-triggered event
PowerOn to PowerOff		
FAN1.Off to FAN1.On	When the temperature of the physical plant rises above 120 degrees	Specify a condition based on temperature value
FAN1.On to FAN1.Off	When the temperature of the physical plant falls below 120 degrees	
FAN2.Off to FAN2.On	When the temperature rises above 150 degrees, a threshold indicating that first fan is not providing the required amount of cooling	
FAN2.On to FAN2.Off	When the temperature falls below 150 degrees	

Drawing the Transitions Between States

In “Design Considerations for Defining Transitions Between States” on page 6-2, you learned that the following transitions occur in the Air Controller chart:

- Power for the control system can cycle on and off.
- Each fan can cycle on and off.

You will model this activity by drawing transitions between the `PowerOn` and `PowerOff` states and between the `On` and `Off` states for each fan. Follow these steps:

- 1** Open the model `Stage3Actions` — either the one you created in the previous exercises or the supplied model for stage 3.

To open the supplied model, enter the following command at the MATLAB prompt:

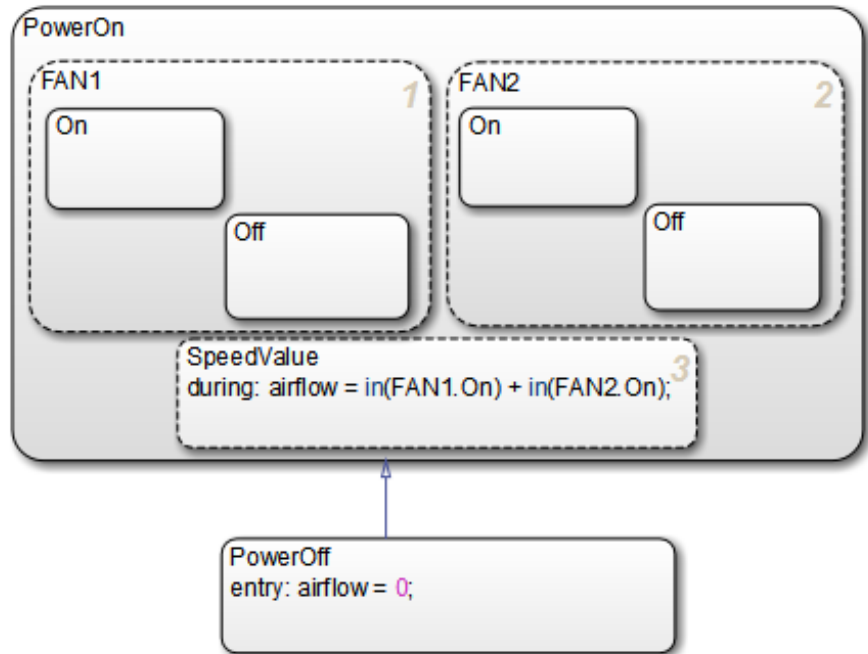
```
addpath(fullfile(docroot, 'toolbox', 'stateflow', 'gs', 'examples'))
Stage3Actions
```

- 2** Save the model as `Stage4Transitions` in your local work folder.
- 3** In `Stage4Transitions`, double-click the `Air Controller` block to open the `Stateflow` chart.

The chart opens on your desktop.

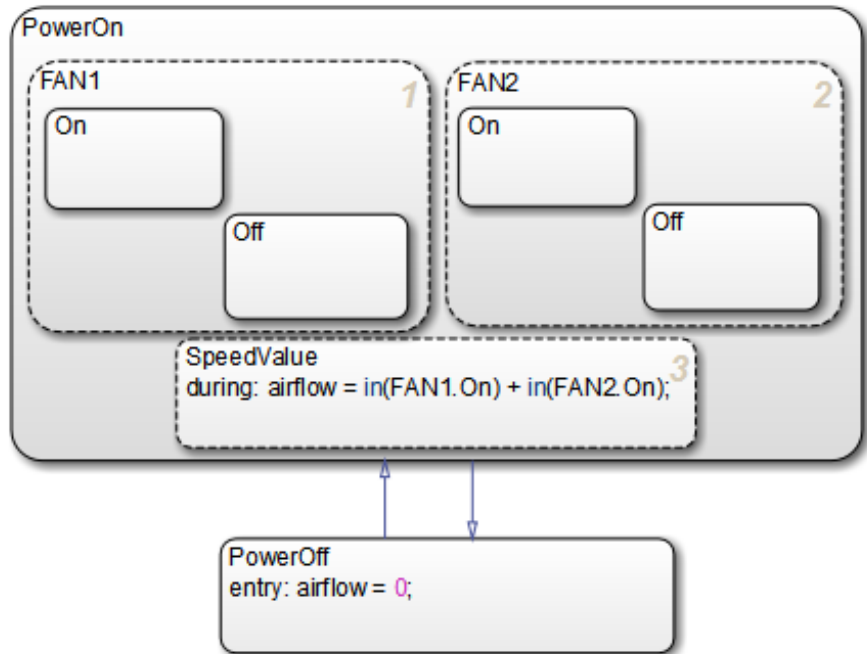
- 4** Draw transitions between the `PowerOff` to `PowerOn` states:
 - a** Move your pointer over the top edge of `PowerOff` until the pointer shape changes to crosshairs.
 - b** Hold down the left mouse button, drag your pointer to the bottom edge of `PowerOn`, and release the mouse.

You should see a transition pointing from PowerOff to PowerOn:



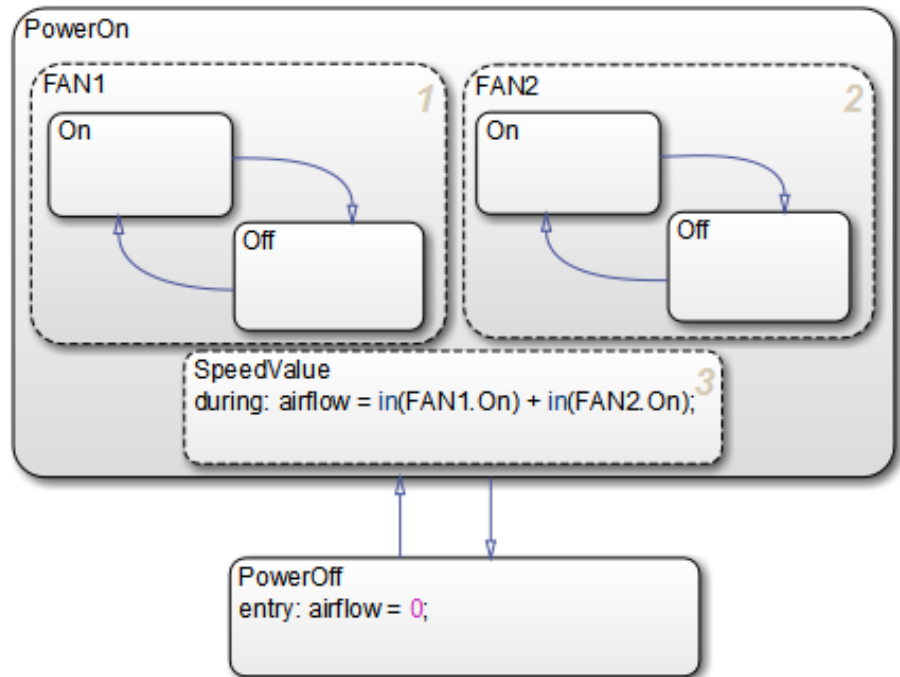
- c Follow the same procedure to draw a transition from PowerOn to PowerOff.

Your chart should now look like this:



- 5** Follow the procedure described in step 3 to draw the following transitions between the **Off** and **On** states for each fan:
- Transition from **Off** to **On** in **FAN1**
 - Transition from **On** to **Off** in **FAN1**
 - Transition from **Off** to **On** in **FAN2**
 - Transition from **On** to **Off** in **FAN2**

Your chart should now look like this:



6 Save Stage4Transitions, but leave the chart open for the next exercise.

Adding Default Transitions

In “Deciding Where to Place Default Transitions” on page 6-3, you learned that you need to add default transitions to **PowerOff**, **FAN1.Off**, and **FAN2.Off**. Follow these steps:

1 In the Stateflow Editor, left-click the default transition icon in the object palette:



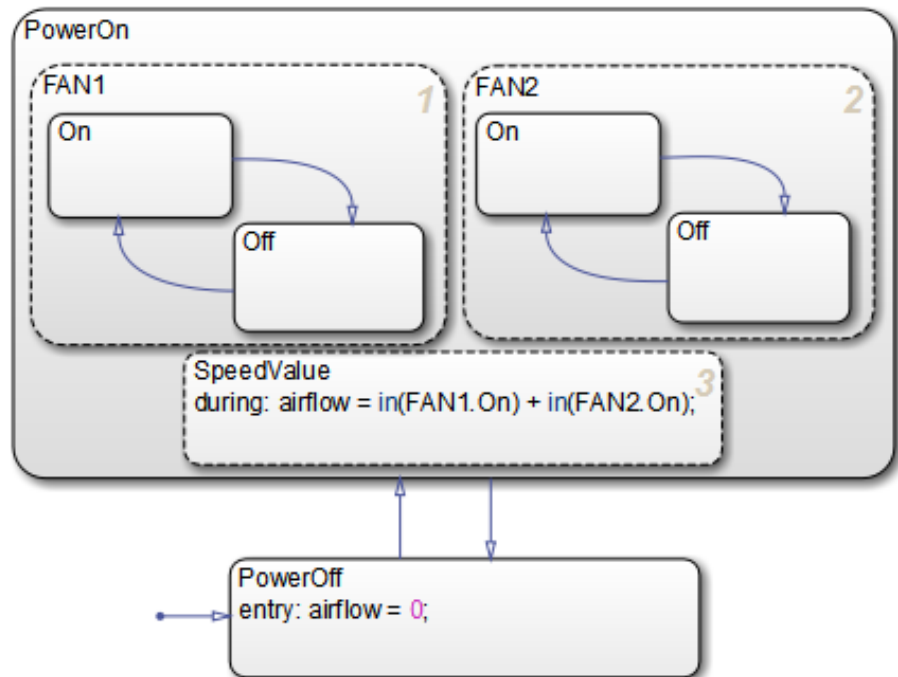
2 Move your pointer into the drawing area.

The pointer changes to a diagonal arrow.

3 Place your pointer at the left edge of the PowerOff state.

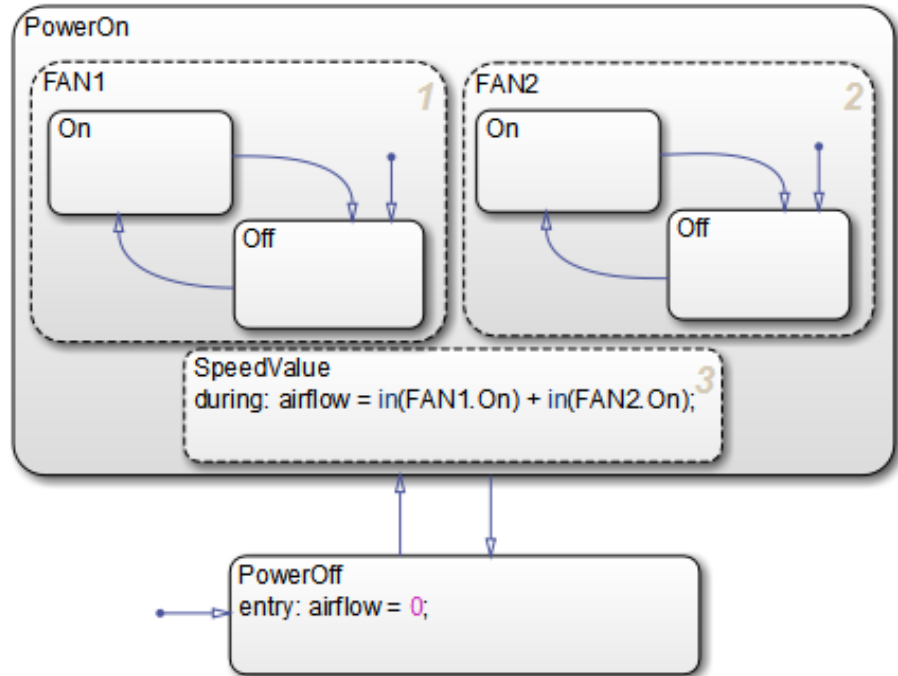
4 When the arrow becomes orthogonal to the edge, release the mouse button.

The default transition attaches to the PowerOff state. It appears as a directed line with an arrow at its head and a closed tail:

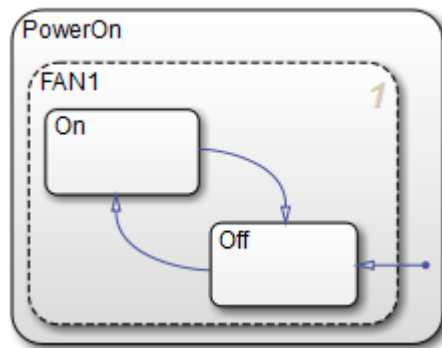


5 Repeat the same procedure to add default transitions at the top edges of **FAN1.Off** and **FAN2.Off**.

Your chart should now look like this:



Tip The location of the tail of a default transition determines the state it activates. Therefore, make sure that your default transition fits completely inside the parent of the state that it activates. In the Air Controller chart pictured above, notice that the default transition for `FAN1.Off` correctly resides inside the parent state, `FAN1`. Now consider this chart:



In this example, the tail of the default transition resides in `PowerOn`, not in `FAN1`. Therefore, it will activate `FAN1` instead of `FAN1.Off`.

6 Save `Stage4Transitions`, but leave the chart open for the next exercise.

Adding Conditions to Guard Transitions

Conditions are expressions enclosed in square brackets that evaluate to true or false. When the condition is true, the transition is taken to the destination state; when the condition is false, the transition is not taken and the state of origin remains active.

As you learned in “Deciding How to Guard the Transitions” on page 6-4, the fans cycle on and off depending on the air temperature. In this exercise, you will add conditions to the transitions in `FAN1` and `FAN2` that model this behavior.

Follow these steps:

- 1 Click the transition from FAN1.Off to FAN1.On.

The transition appears highlighted and displays a question mark (?).

- 2 Click next to the question mark to display a blinking text cursor.

- 3 Type the following expression:

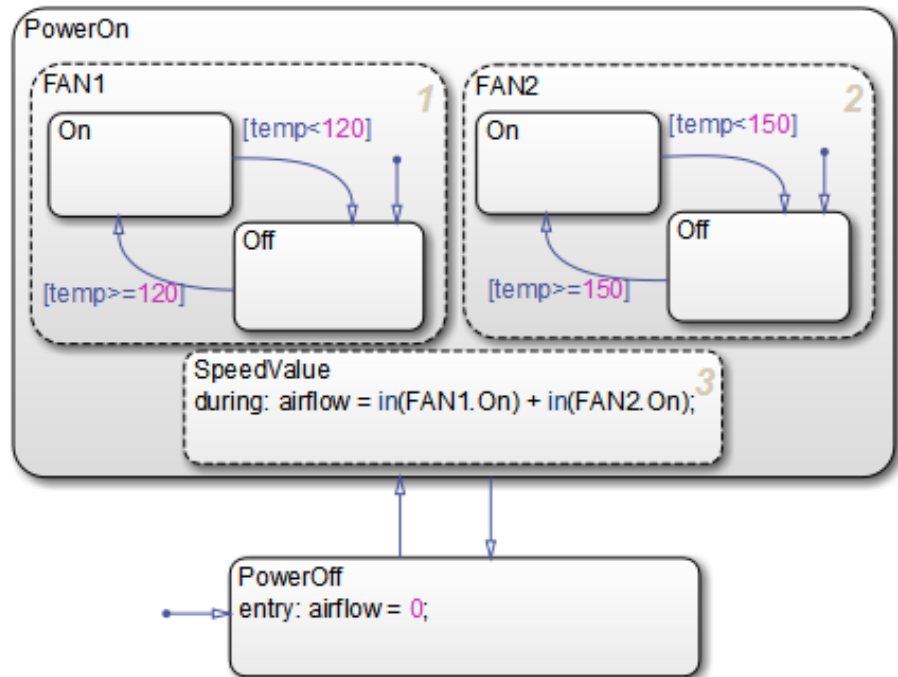
```
[temp >= 120]
```

You may need to reposition the condition for readability. Click outside the condition, then left-click and drag the condition expression to a new location.

- 4 Repeat these steps to add the following conditions to the other transitions in FAN1 and FAN2:

Transition	Condition
FAN1.On to FAN1.Off	[temp < 120]
FAN2.Off to FAN2.On	[temp >= 150]
FAN2.On to FAN2.Off	[temp < 150]

Your chart should look like this:



5 Save Stage4Transitions, but leave the chart open for the next exercise.

Adding Events to Guard Transitions

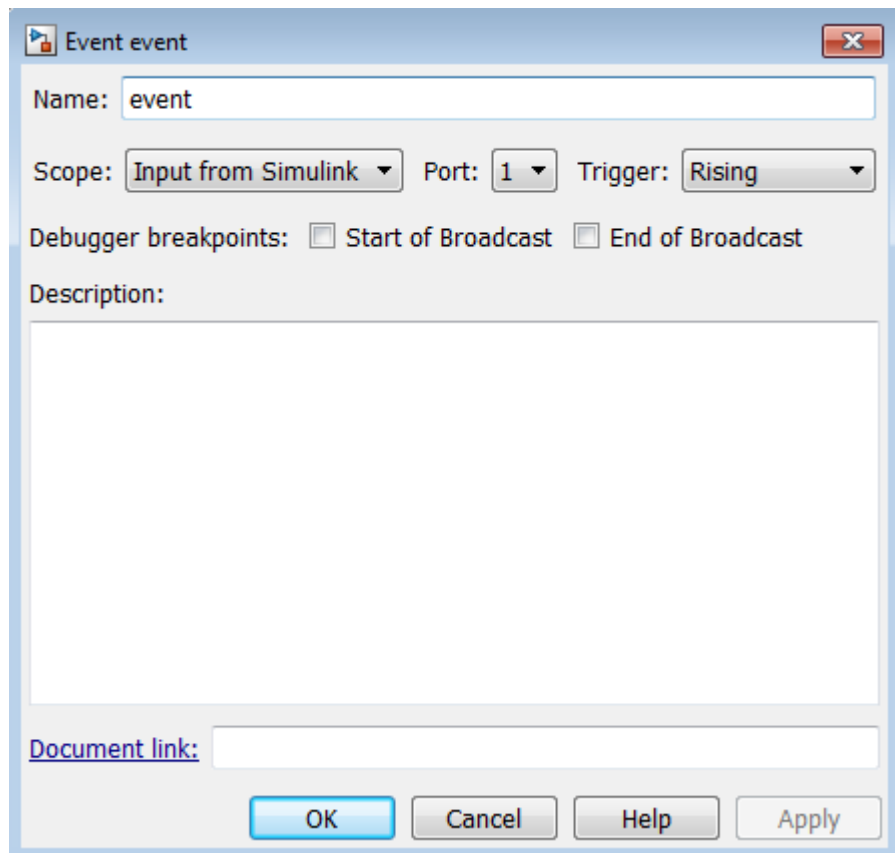
Events are nongraphical objects that trigger activities during the execution of a Stateflow chart. Depending on where and how you define events, they can trigger a transition to occur, an action to be executed, and state status to be evaluated. In this exercise, you will define an event that triggers transitions.

As you learned in “Deciding How to Guard the Transitions” on page 6-4, the control system should power on and off at regular intervals. You model this behavior by first defining an event that occurs at the rising or falling edge of an input signal, and then associating that event with the transitions between the PowerOn and PowerOff states.

Follow these steps to define an edge-triggered event and associate it with the transitions:

- 1 In the Stateflow Editor, add an input event by selecting **Chart > Add Inputs & Outputs > Event Input From Simulink**.

The Event properties dialog box opens on your desktop:



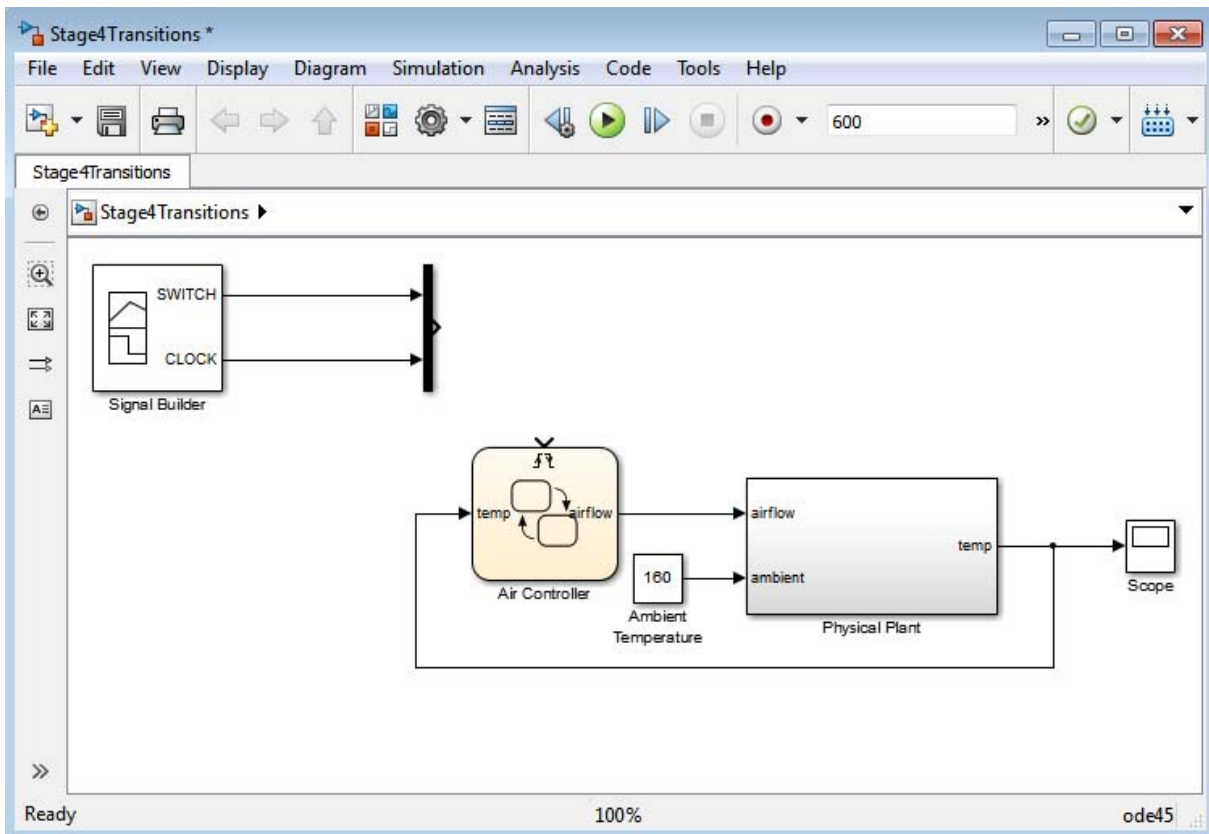
Note that the event is assigned to trigger port 1.

- 2 Edit the following properties:

Property	What to Specify
Name	Change the name to SWITCH.
Trigger	Select Either from the drop-down menu so the event can be triggered by either the rising edge or falling edge of a signal.

3 Click **OK** to record the changes and close the dialog box.

4 Look back at the model and notice that a trigger port appears at the top of the Stateflow block:



When you define one or more input events for a chart, Stateflow software adds a single trigger port to the block. External Simulink blocks can trigger the input events via a signal or vector of signals connected to the trigger port.

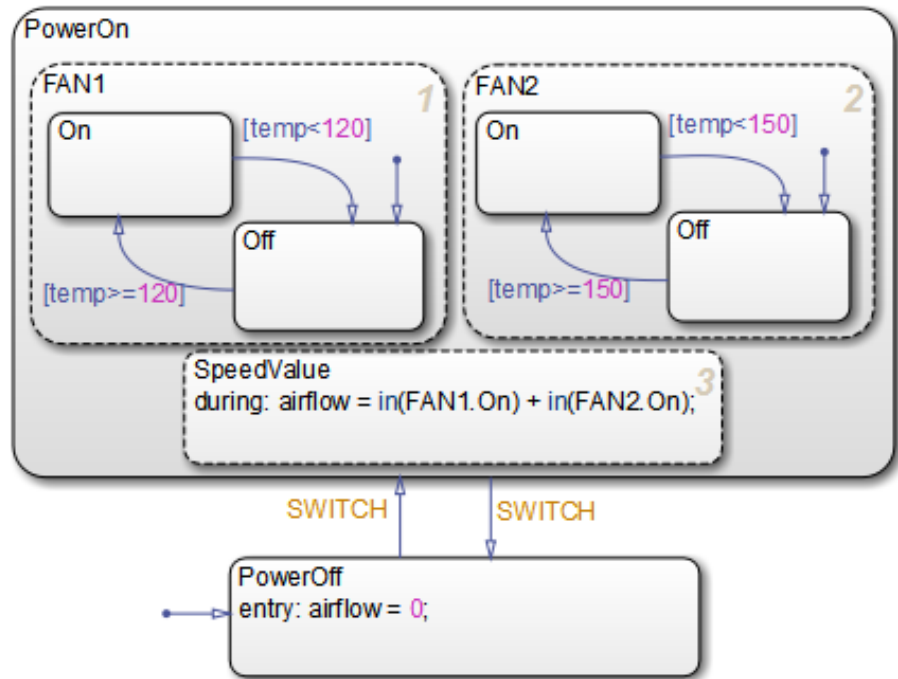
5 Back in the Stateflow Editor, associate the input event SWITCH with the transitions:

- a** Select the transition from `PowerOff` to `PowerOn` and click the question mark to get a text cursor.
- b** Type the name of the event you just defined, `SWITCH`.

You might need to reposition the event text for readability. If so, click outside the text string, left-click the text, and drag it to the desired location.

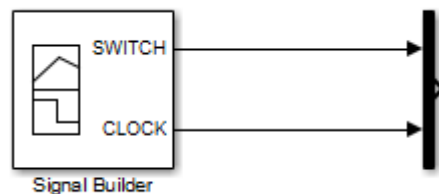
- c** Repeat these steps to add the same event, `SWITCH`, to the transition from `PowerOn` to `PowerOff`.

Your chart should now look something like this:



Now that you have associated these transitions with the event SWITCH, the control system will alternately power on and off every time SWITCH occurs — that is, every time the chart detects a rising or falling signal edge.

Note that the `sf_aircontrol` model has already defined the pulse signal SWITCH in the Signal Builder block at the top level of the model hierarchy:

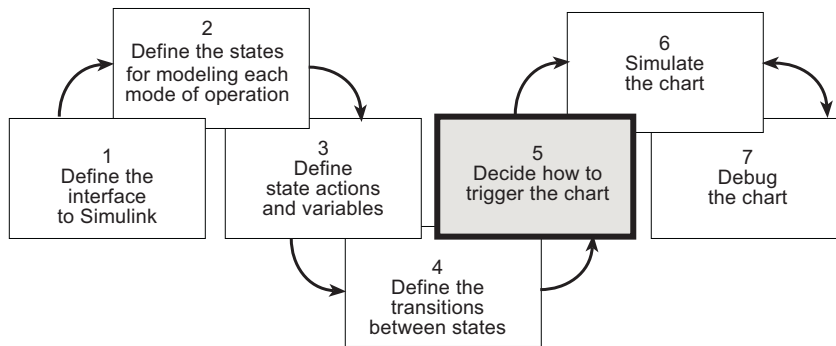


In the next phase of the workflow, you will connect your Stateflow chart to the SWITCH signal to trigger the transitions between power on and power off.

6 Save Stage4Transitions.

Where to go next. Now you are ready to implement an edge-triggered event to wake up the chart at regular intervals. See “Implementing the Triggers” on page 7-2.

Triggering a Stateflow Chart



In phase 5 of this workflow, you *decide how to trigger the chart*.

Implementing the Triggers

In this section...

“Build It Yourself or Use the Supplied Model” on page 7-2

“Design Considerations for Triggering Stateflow Charts” on page 7-2

“Defining the CLOCK Event” on page 7-3

“Connecting the Edge-Triggerred Events to the Input Signals” on page 7-4

Build It Yourself or Use the Supplied Model

To implement the triggers yourself, work through the exercises in this section. Otherwise, open the supplied model to see how the triggers should appear in the chart. Enter this command at the MATLAB prompt:

```
addpath(fullfile(docroot, 'toolbox', 'stateflow', 'gs', 'examples'))
Stage5Trigger
```

Design Considerations for Triggering Stateflow Charts

A Simulink model can wake up a Stateflow chart by

- Sampling the chart at a specified or inherited rate
- Using a signal as a trigger
- Using one Stateflow chart to drive the activity of another

A signal trigger works best for the Air Controller chart because it needs to monitor the temperature of the physical plant at regular intervals. To meet this requirement, you will use a periodic signal to trigger the chart. The source is a square wave signal called **CLOCK**, provided by a Signal Builder block in the Simulink model, described in “How the Stateflow Chart Works with the Simulink Model” on page 2-6. To harness the signal, you will set up an edge trigger event that wakes the chart at the rising or falling edge of **CLOCK**.

The rationale for using an edge trigger in this case is that it uses the regularity and frequency of the signal to wake up the chart. When using edge triggers, keep in mind that there can be a delay from the time the trigger

occurs to the time the chart begins executing. This is because an edge trigger causes the chart to execute at the beginning of the next simulation time step, regardless of when the edge trigger actually occurred during the previous time step. The Air Controller can tolerate this delay, as long as the edge occurs frequently enough. (For more information about triggering Stateflow charts, see “Implement Interfaces to Simulink Models” in the Stateflow User’s Guide.)

Recall that you already defined one edge-triggered event, SWITCH, to guard the transitions between PowerOff and PowerOn. You will now define a second edge-triggered event, CLOCK, to wake up the chart.

Defining the CLOCK Event

To define the CLOCK event, follow these steps:

- 1 Open the model Stage4Transitions — either the one you created in the previous exercises or the supplied model for stage 4.

To open the supplied model, enter the following command at the MATLAB prompt:

```
addpath(fullfile(docroot, 'toolbox', 'stateflow', 'gs', 'examples'))
Stage4Transitions
```

- 2 Save the model as Stage5Trigger in your local work folder.
- 3 In Stage5Trigger, double-click the Air Controller block to open the Stateflow chart.
- 4 In the Stateflow Editor, add an input event by selecting **Chart > Add Inputs & Outputs > Event Input From Simulink**.
- 5 In the Event properties dialog box, edit the following fields:

Property	What to Specify
Name	Change the name to CLOCK.
Trigger	Select Either from the drop-down menu so that the rising or falling edge of a signal can trigger the event.

Because the SWITCH event you created in “Adding Events to Guard Transitions” on page 6-13 was assigned to trigger port 1, the CLOCK event is assigned to trigger port 2. Nevertheless, only one trigger port appears at the top of the Air Controller block to receive trigger signals. This means that each signal must be indexed into an array, as described in “Connecting the Edge-Triggered Events to the Input Signals” on page 7-4.

6 Click **OK** to record the changes and close the dialog box.

7 Save Stage5Trigger, but leave it open for the next exercise.

Connecting the Edge-Triggered Events to the Input Signals

You need to connect the edge-triggered events to the Simulink input signals in a way that

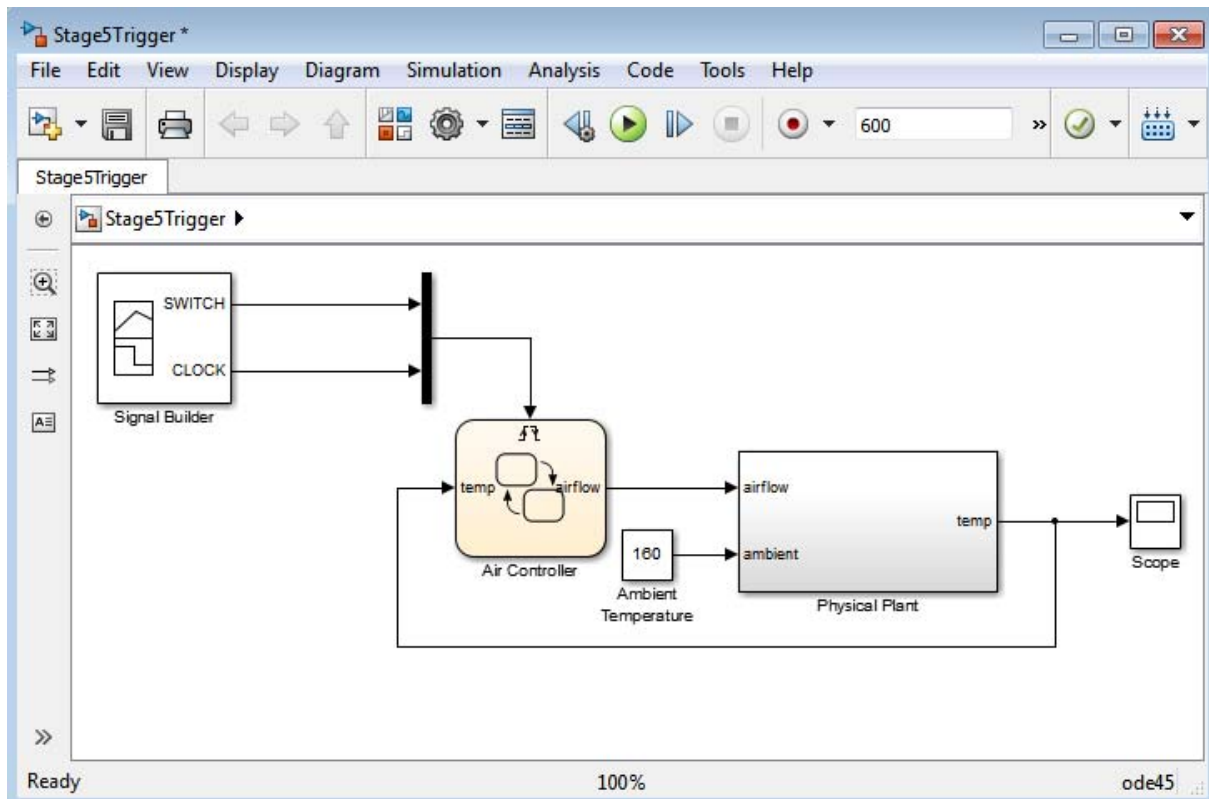
- Associates each event with the correct signal
- Indexes each signal into an array that can be received by the Air Controller trigger port

In Stage5Trigger, notice that the two input signals SWITCH and CLOCK feed into a Mux block where they are joined in an array to a single output. SWITCH is a pulse signal and CLOCK is a square wave. When you connect the Mux to the trigger port, the index of the signals in the array are associated with the like-numbered ports. Therefore, the SWITCH signal at the top input port of the Mux triggers the event SWITCH on trigger port 1. Likewise, the CLOCK signal at the second input port of the Mux triggers the event CLOCK on trigger port 2.

To connect the Mux to the trigger port, follow these steps:

- 1** Click the Mux block, hold down the **Ctrl** key, and click the Air Controller block.

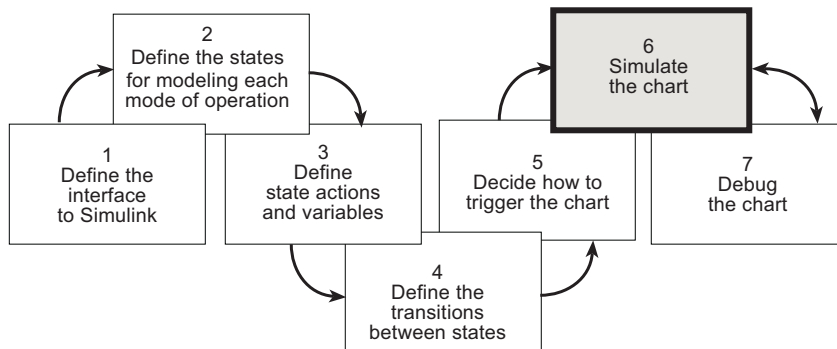
The output signal of the Mux block connects to the input trigger port of the Stateflow block. Your model should look like this:



2 Save Stage5Trigger.

Where to go next. Now you are ready to simulate your chart. See “Setting Simulation Parameters and Breakpoints” on page 8-2.

Simulating the Chart



In phase 6 of this workflow, you *simulate the chart* to test its behavior. During simulation, you can *animate* Stateflow charts to highlight states and transitions as they execute.

Setting Simulation Parameters and Breakpoints

In this section...

“Prepare the Chart Yourself or Use the Supplied Model” on page 8-2

“Checking That Your Chart Conforms to Best Practices” on page 8-2

“Setting the Length of the Simulation” on page 8-3

“Configuring Animation for the Chart” on page 8-5

“Setting Breakpoints to Observe Chart Behavior” on page 8-8

“Simulating the Air Controller Chart” on page 8-10

Prepare the Chart Yourself or Use the Supplied Model

To prepare the chart for simulation yourself, work through the exercises in this section. Otherwise, open the supplied model to see how simulation parameters should appear. Enter this command at the MATLAB prompt:

```
addpath(fullfile(docroot, 'toolbox', 'stateflow', 'gs', 'examples'))
Stage6Simulate
```

Checking That Your Chart Conforms to Best Practices

Before starting a simulation session, you should examine your chart to see if it conforms to recommended design practices:

- A default transition must exist at every level of the Stateflow hierarchy that contains exclusive (OR) states (has exclusive [OR] decomposition). (See “Deciding Where to Place Default Transitions” on page 6-3.)
- Whenever possible, input data objects *should* inherit properties from the associated Simulink input signal to ensure consistency, minimize data entry, and simplify maintenance of your model. Recall that in “Defining the Inputs and Outputs” on page 3-8, you defined the input `temp` to inherit its size and type from the Simulink output port `temp`, which provides the input value to the Air Controller chart.
- Output data objects *should not* inherit types and sizes because the values are back propagated from Simulink blocks and may, therefore, be unpredictable. Recall that in “Defining the Inputs and Outputs” on page

3-8, you specified the data type as `uint8` and the size as `scalar` (the default). (See “Avoid inheriting output data properties from Simulink blocks” in the Stateflow User’s Guide.)

Tip You can specify data types and sizes as expressions in which you call functions that return property values of other variables already defined in Stateflow, MATLAB, or Simulink software. Such functions include `type` and `fixdt`. For more information, see “Enter Expressions and Parameters for Data Properties” in the Stateflow User’s Guide.

Setting the Length of the Simulation

To specify the length of the simulation, follow these steps:

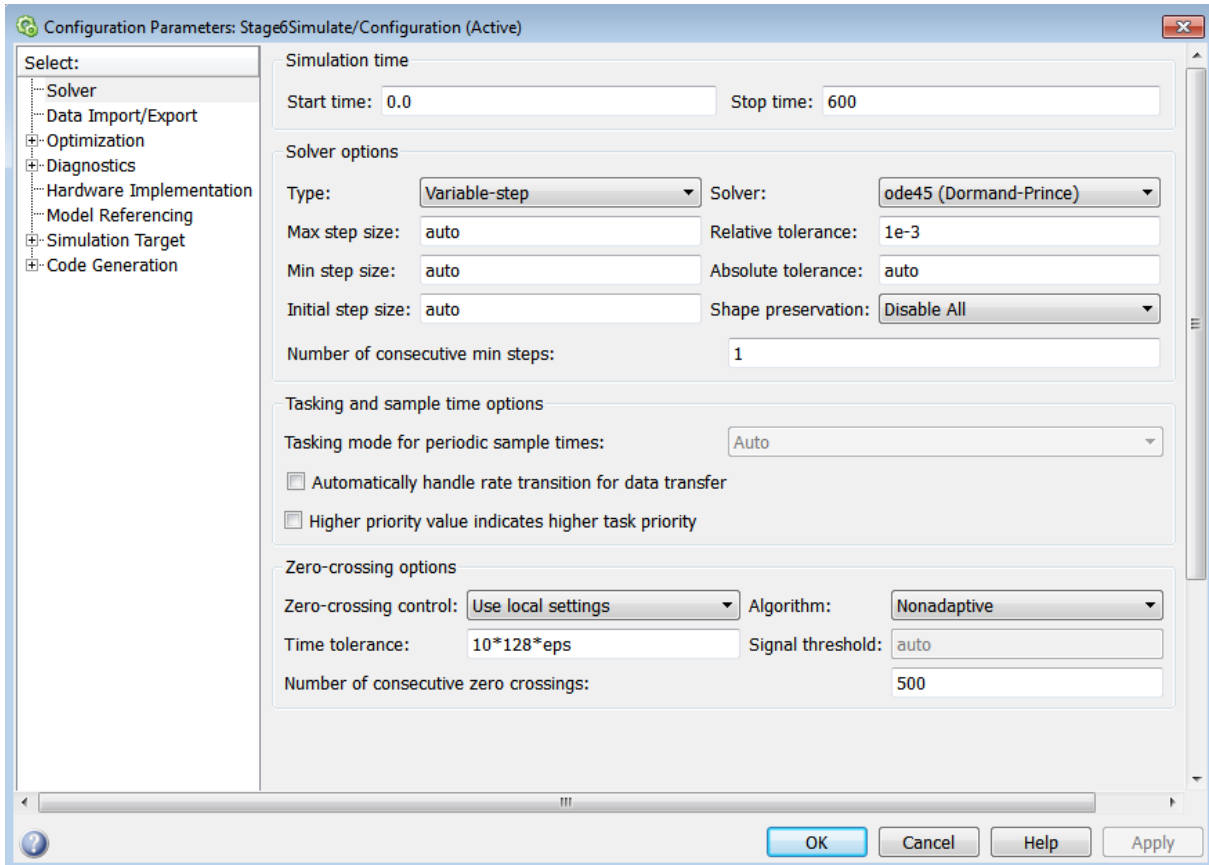
- 1 Open the model `Stage5Trigger` — either the one you created in the previous exercises or the supplied model for stage 5.

To open the supplied model, enter the following command at the MATLAB prompt:

```
addpath(fullfile(docroot, 'toolbox', 'stateflow', 'gs', 'examples'))
Stage5Trigger
```

- 2 Save the model as `Stage6Simulate` in your local work folder.
- 3 Double-click `Air Controller` to open the chart.
- 4 Check the settings for simulation time:
 - a In the Stateflow Editor, select **Simulation > Model Configuration Parameters**.

The following dialog box opens:



b Click **Solver** in the left **Select** pane if it is not already selected.

Under **Simulation time** on the right, note that the start and stop times have been preset for you. You can adjust these times later as you become more familiar with the run-time behavior of the chart.

c Keep the preset values for now and click **OK** to close the dialog box.

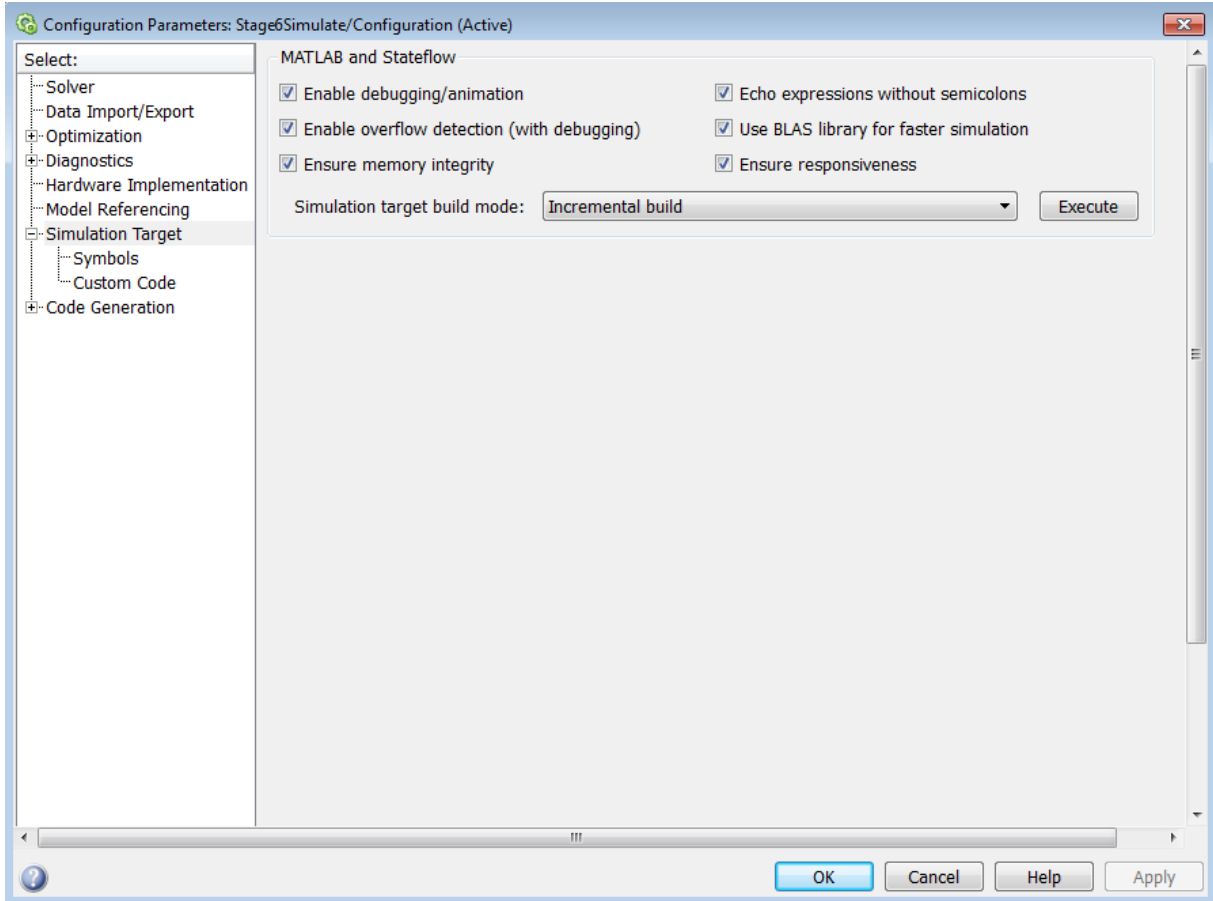
5 Leave the chart open for the next exercise.

Configuring Animation for the Chart

When you simulate a Simulink model, you can animate Stateflow charts to highlight states and transitions as they execute. Animation provides visual verification that your chart behaves as expected. Animation is enabled by default, but you set the speed. To configure animation for your simulation session, follow these steps:

- 1 Verify that animation has been enabled for your chart:
 - In the Stateflow Editor, select **Simulation > Debug > Simulation Target For MATLAB & Stateflow**.

The **Simulation Target** pane opens.



Note This dialog box is used to configure Stateflow software for building targets. A target is a program that executes a Stateflow chart or a Simulink model that contains a Stateflow chart. Stateflow software builds a simulation target that you use to simulate your Stateflow application.

By default, animation is enabled at 0-second delay.

- b** Change the delay to 1 second so the animation will proceed at the slowest speed.

Note You can change the speed of animation at any time during simulation.

- 3** Leave the Air Controller chart and the debugger open for the next exercise.

Setting Breakpoints to Observe Chart Behavior

In this exercise, you will learn how to set breakpoints in the debugger to pause simulation during key run-time activities so you can observe the behavior of your chart in slow motion. You can set the following breakpoints:

Breakpoint	Description
Chart Entry	Simulation halts when the Stateflow chart wakes up.
Event Broadcast	Simulation halts when an event, such as SWITCH or CLOCK, occurs.
State Entry	Simulation halts when a state becomes active.

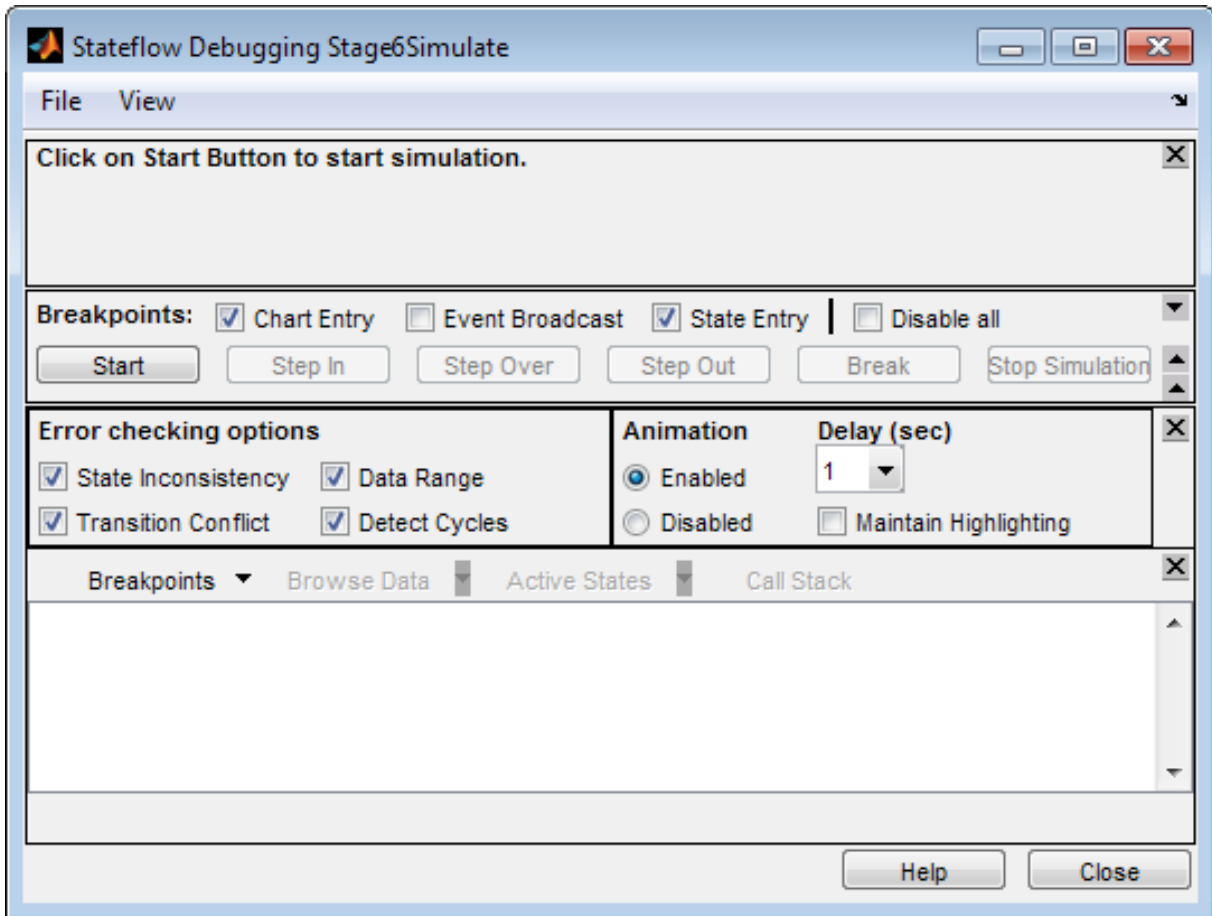
You will also learn how to examine data values when simulation pauses.

Follow these steps:

- 1** In the debugger, select **Chart Entry** and **State Entry** as breakpoints.

Note If you also set breakpoints at each event broadcast, simulation would pause at every rising or falling edge of the SWITCH and CLOCK signals. To keep simulation running at a reasonable pace, do not select **Event Broadcast**.

- 2 Notice the **Browse Data** option in the menu bar just above the output display pane of the debugger:



The **Browse Data** option appears grayed out, but becomes active when simulation pauses at a breakpoint. You will use this option in “Simulating the Air Controller Chart” on page 8-10.

- 3 Leave the debugger open for the next exercise.

Simulating the Air Controller Chart

In this exercise, you will simulate the Air Controller chart. If this is the first time you are simulating the chart in the `Stage6Simulate` model, Stateflow software builds the simulation target by performing the following actions before simulation starts:

- Parses the chart for state inconsistency errors, like those mentioned in “Checking That Your Chart Conforms to Best Practices” on page 8-2
- Generates C code that represents the behavior of the chart
- Builds the generated code into an executable program for the simulation target
- Creates a new folder called `s1prj` in the folder where the chart resides to store the generated files that make up the simulation target
- Creates a MEX (MATLAB executable) file that corresponds to the C source file

The MATLAB command line displays status messages during each of these processes. You should see the following messages in your MATLAB Command Window, which indicate a successful build:

```
Stateflow parsing for model "Stage6Simulate"...Done
Stateflow code generation for model "Stage6Simulate"...Done
Stateflow compilation for model "Stage6Simulate"...      1 file(s) copied.
Done
>>
```

During simulation, you will change breakpoints and observe data values when execution pauses. Follow these steps:

- 1** In `Stage6Simulate`, open the Scope block. Position the Scope block, Air Controller chart, and debugger so all are visible on your desktop.
- 2** In the debugger, start simulation by clicking the **Start** button.

After the simulation target is built, the chart appears with a gray background, indicating that simulation has begun. Simulation continues until it reaches the first breakpoint, when the Air Controller chart wakes

up. Notice that the status panel at the top of the debugger provides a snapshot of simulation activities at the breakpoint.

Detail	What It Means	What You See at First Breakpoint
Stopped	What executed at the breakpoint	Entry: Chart Air Controller
Executing	Stateflow chart that is executing	Air Controller
Current Event	Event that is processed at this time step	Input event SWITCH
Simulink Time	Time at which the simulation paused	0.000000

Note also that the **Browse Data** option is now enabled.

- 3 Click the down arrow to the right of the **Browse Data** option and select **Watched Data (Current Chart)** from the submenu.

By selecting this option, you can examine the values of the input `temp` and output `airflow`. Recall that you configured these objects as data to be watched in the debugger in the exercise “Defining the Inputs and Outputs” on page 3-8.

Tip You can also view data values from the MATLAB command line at simulation breakpoints. Here’s how to do it:

- a When simulation pauses at a breakpoint, click in the MATLAB command line and press the **Enter** key.

The MATLAB Command Window displays a `debug>>` prompt.

- b At the prompt, type the name of the data object.

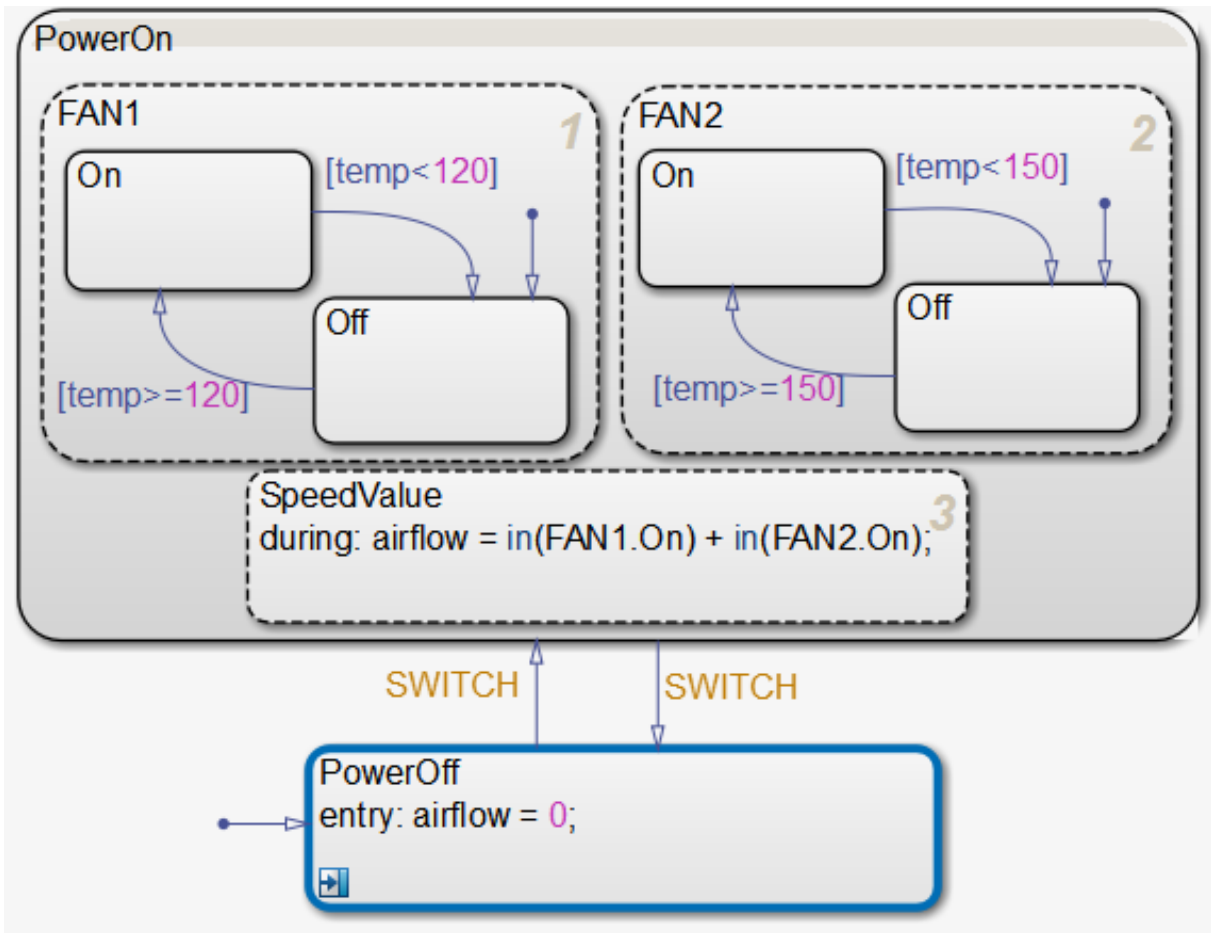
The MATLAB Command Window displays the value of the data object.

- 4 Scroll down in the output display pane of the debugger to view the values of temp and airflow.

Note that temp is 70 (below the threshold for turning on FAN1) and airflow is 0 (indicating that no fans are running).

- 5 Resume simulation by clicking the **Continue** button.

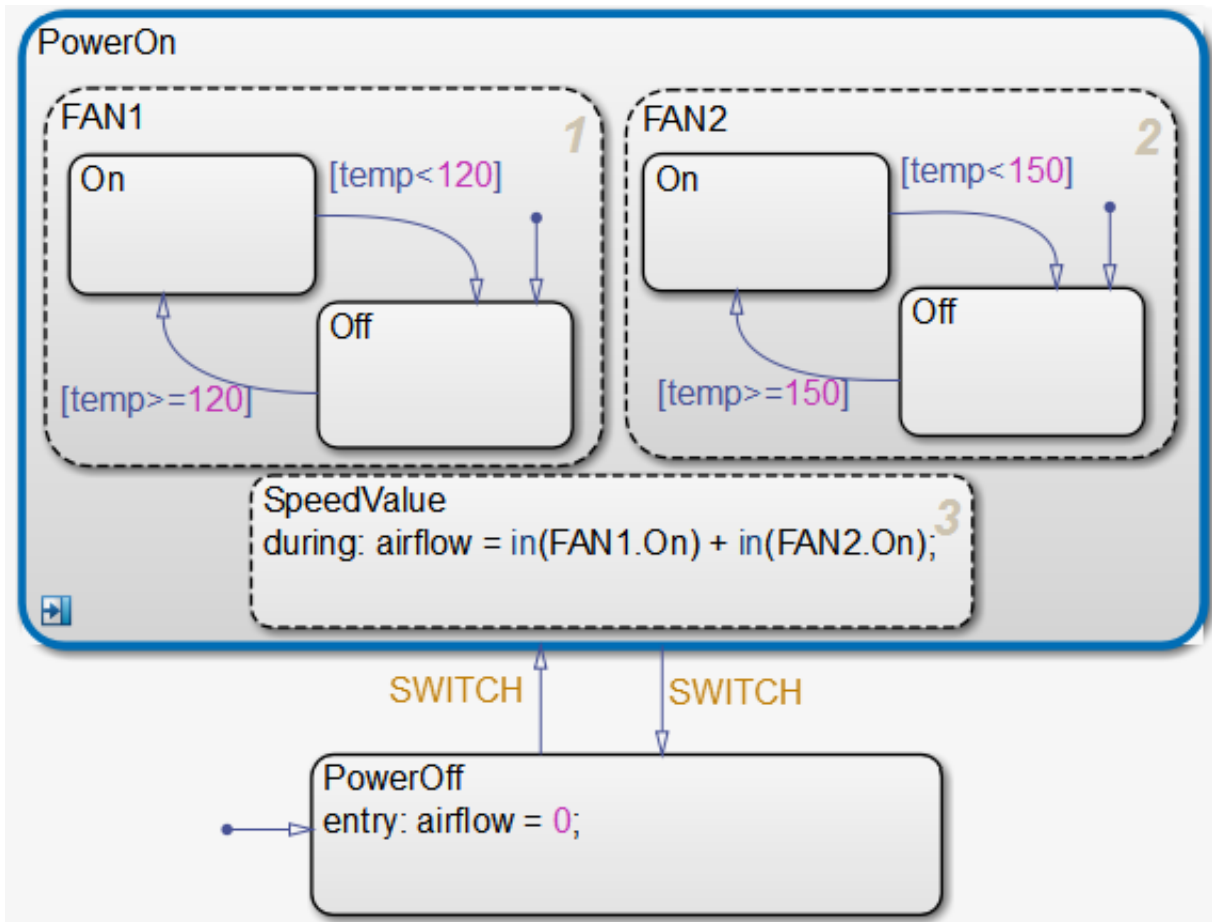
Simulation continues until the next breakpoint, activation of the PowerOff state, which appears highlighted in the chart (as part of animation).



The default transition activates PowerOff after the chart wakes up.

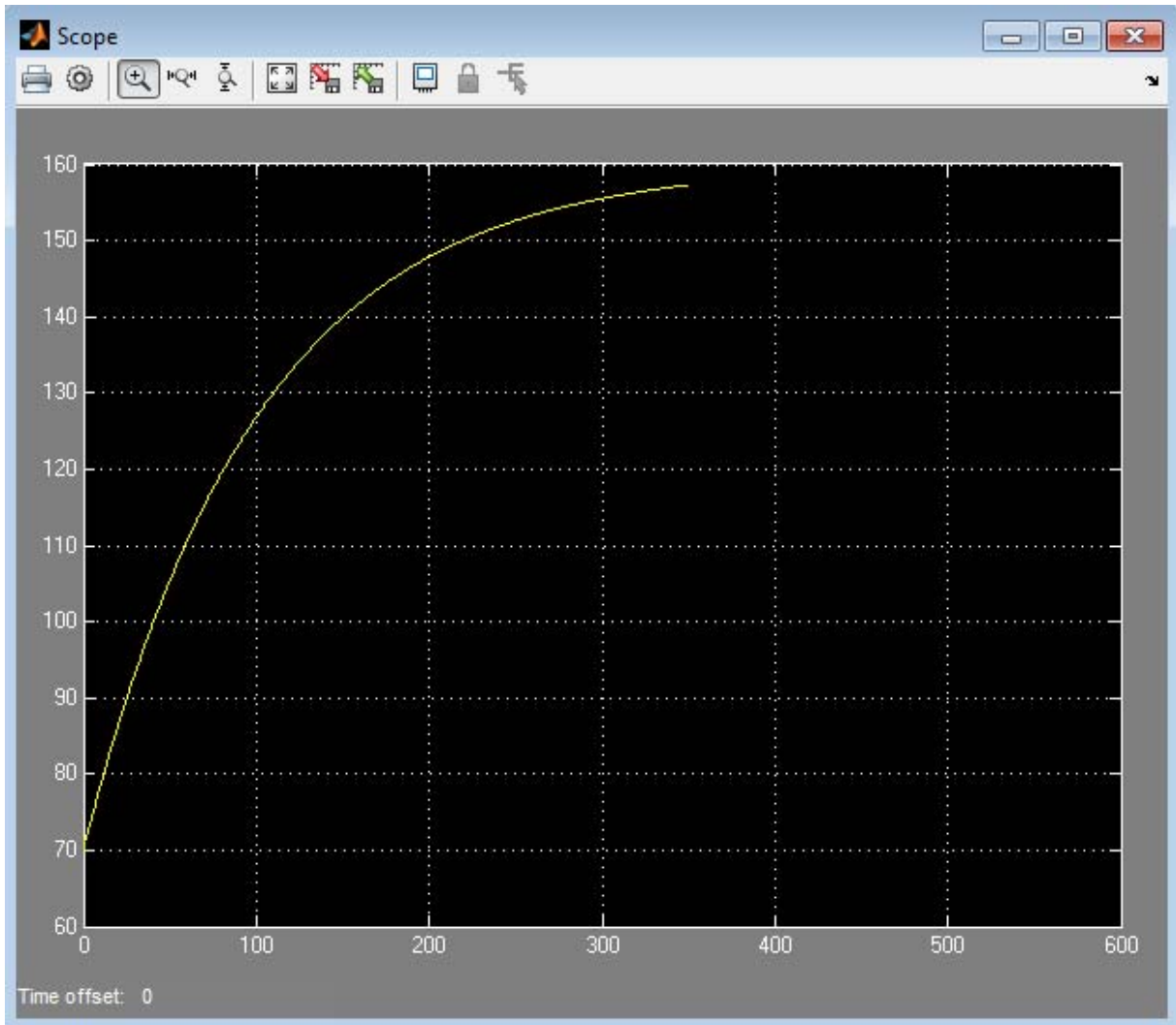
- 6 Clear the breakpoint **Chart Entry** and continue simulation.

Simulation continues to the next breakpoint, the activation of the PowerOn state:



8 Simulating the Chart

Note in the output display pane of the debugger that temp has risen to over 157 degrees. The Scope displays the temperature pattern:



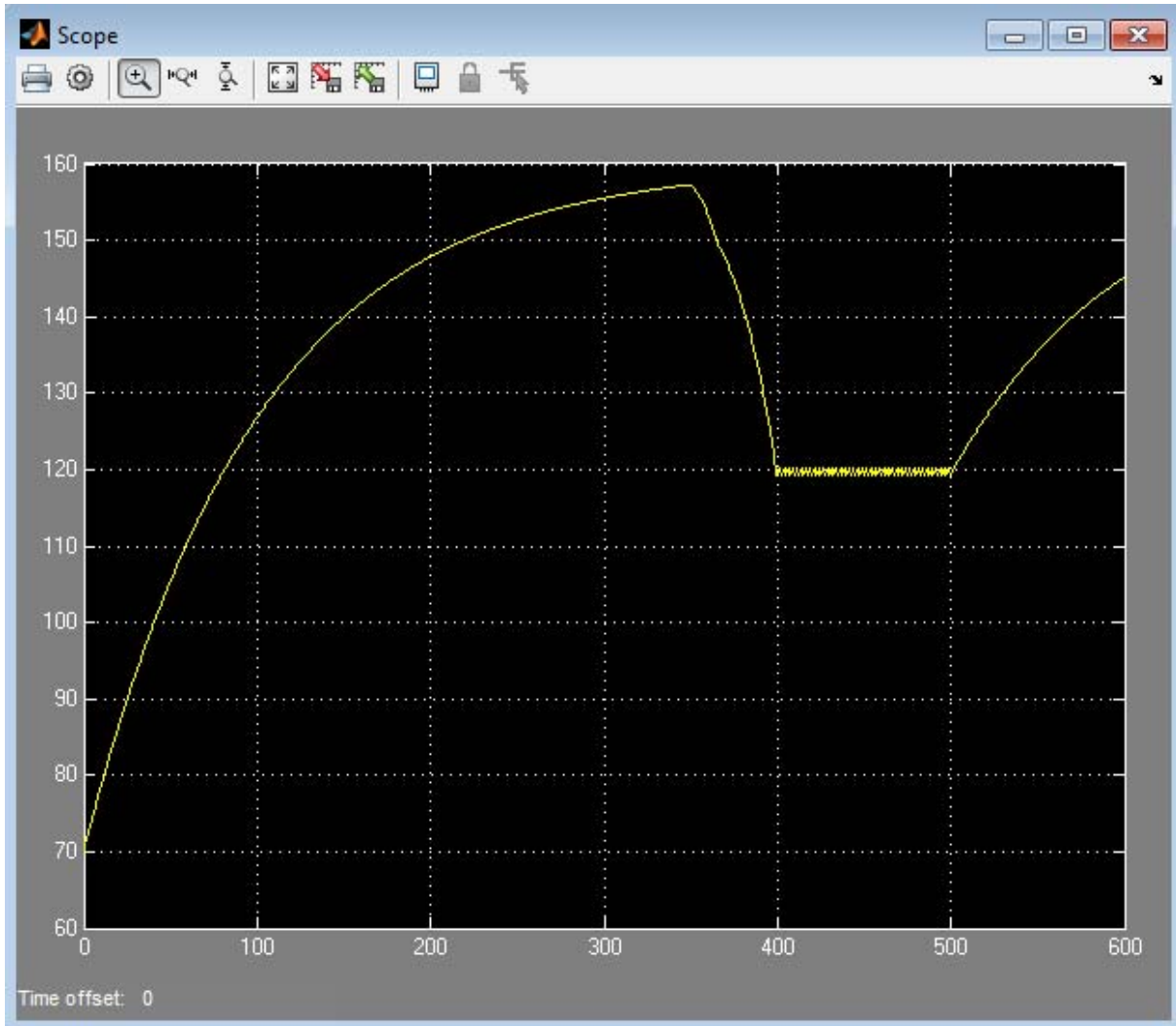
7 Continue simulation through the following breakpoints, noting chart animation, Scope display, and how data values change:

Breakpoint	Value of temp (Degrees)	Value of airflow
Activation of FAN1	> 157	0
Default transition to FAN1.Off	> 157	0
Activation of FAN2	> 157	0
Default transition to FAN2.Off	> 157	0
Activation of SpeedValue	> 157	0
Transition to FAN1.On (because temp >= 120 degrees)	> 157	0
Transition to FAN2.On (because temp >= 150 degrees)	> 157	0
Transition to FAN2.Off (because temp < 150 degrees)	> 149 and < 150	2
Transition to FAN1.Off (because temp < 120 degrees)	> 119 and < 120	1
Transition to FAN1.On (because temp >= 120 degrees)	> 120	0
Transition to FAN1.Off (because temp < 120 degrees)	> 119 and < 120	1

- 8** To speed through the rest of the simulation, clear all breakpoints, change animation delay to **0**, and click **Continue**.

Notice that FAN1 continues to cycle on and off as temp fluctuates between 119 and 120 degrees until power cycles off at 500 seconds. After power cycles off, the fans stop running and temp begins to rise unchecked until simulation reaches stop time at 600 seconds.

The Scope captures this activity:

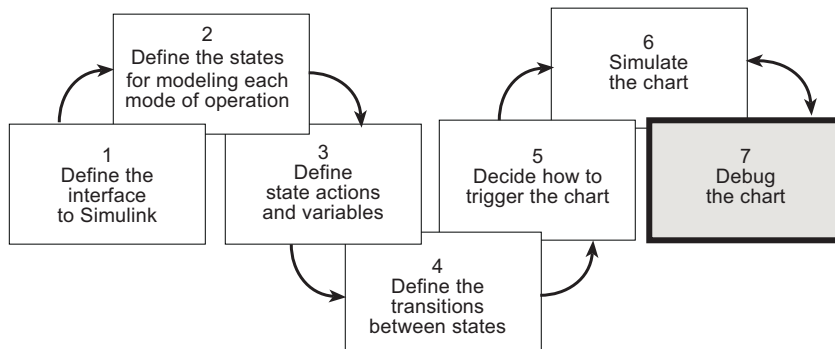


Note This display should look the same as the Scope after running the prebuilt model in “Running the Model” on page 2-10.

9 Save Stage6Simulate, and close all other windows and dialog boxes.

Where to go next. Now you are ready to use the debugger for detecting state inconsistencies and data range violations. See “Debugging Common Modeling Errors” on page 9-2.

Debugging the Chart



In phase 7 of this workflow, you *debug the chart*. In “Setting Simulation Parameters and Breakpoints” on page 8-2, you learned how to use the debugger for setting breakpoints and observing data. In this chapter, you will learn how Stateflow software detects errors and provides diagnostic assistance.

Debugging Common Modeling Errors

In this section...
“Debugging State Inconsistencies” on page 9-2
“Debugging Data Range Violations” on page 9-5

Debugging State Inconsistencies

In this exercise, you will introduce a state inconsistency error in your chart and troubleshoot the problem. Follow these steps:

- 1 Open the model `Stage6Simulate` — either the one you created in the previous exercises or the supplied model for stage 6.

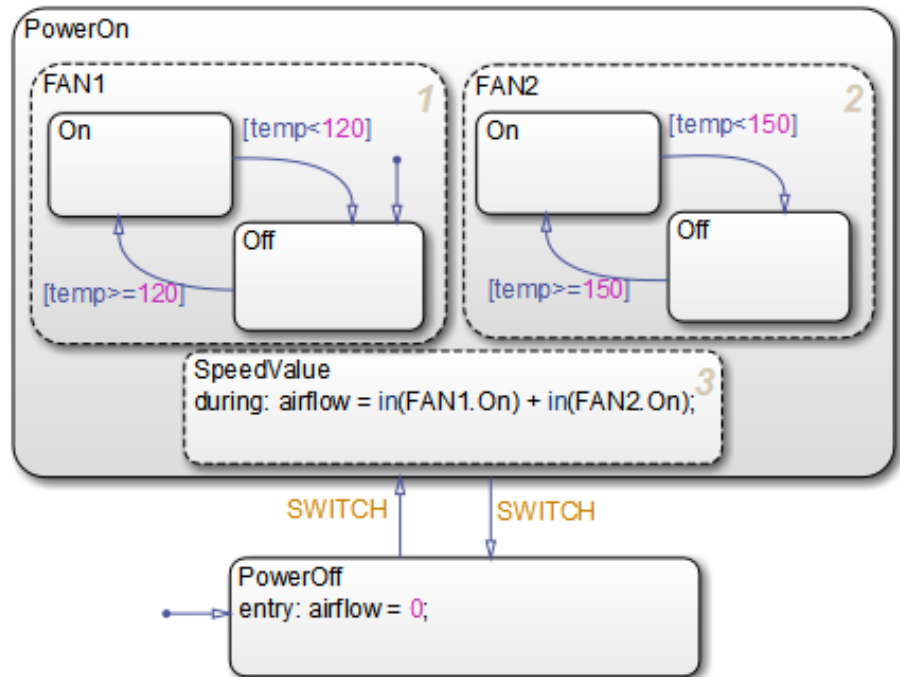
To open the supplied model, enter the following command at the MATLAB prompt:

```
addpath(fullfile(docroot, 'toolbox', 'stateflow', 'gs', 'examples'))
Stage6Simulate
```

- 2 Save the model as `Stage7Debug` in your local work folder.
- 3 Double-click `Air Controller` to open the chart.
- 4 Delete the default transition to `FAN2.Off` by selecting it and pressing the **Delete** key.

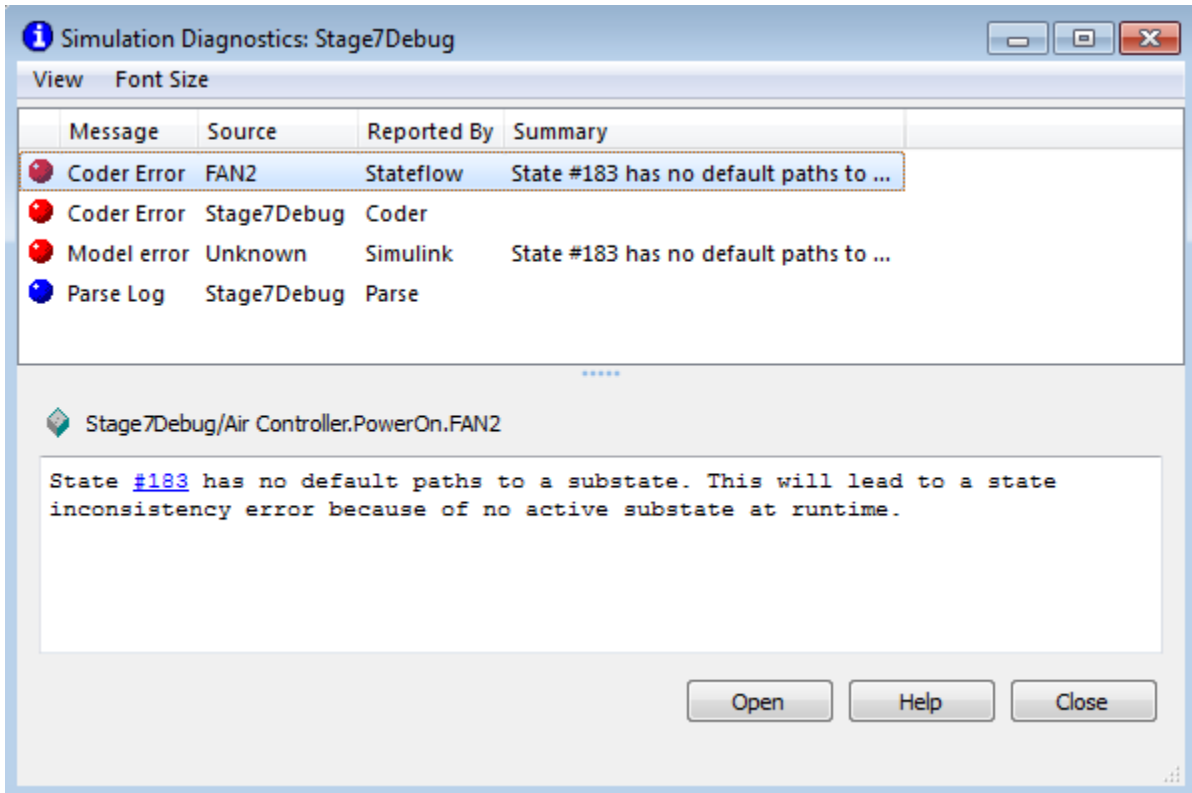
Removing the default transition will cause a state inconsistency error. (Recall from “Checking That Your Chart Conforms to Best Practices” on page 8-2 that there must be a default transition at every level of the Stateflow hierarchy that has exclusive [OR] decomposition.)

Your chart should look like this:



- 5 Open the Stateflow debugger and make sure **State Inconsistency** is selected in the **Error checking options** panel.
- 6 Save the chart, and then click **Start** in the debugger.

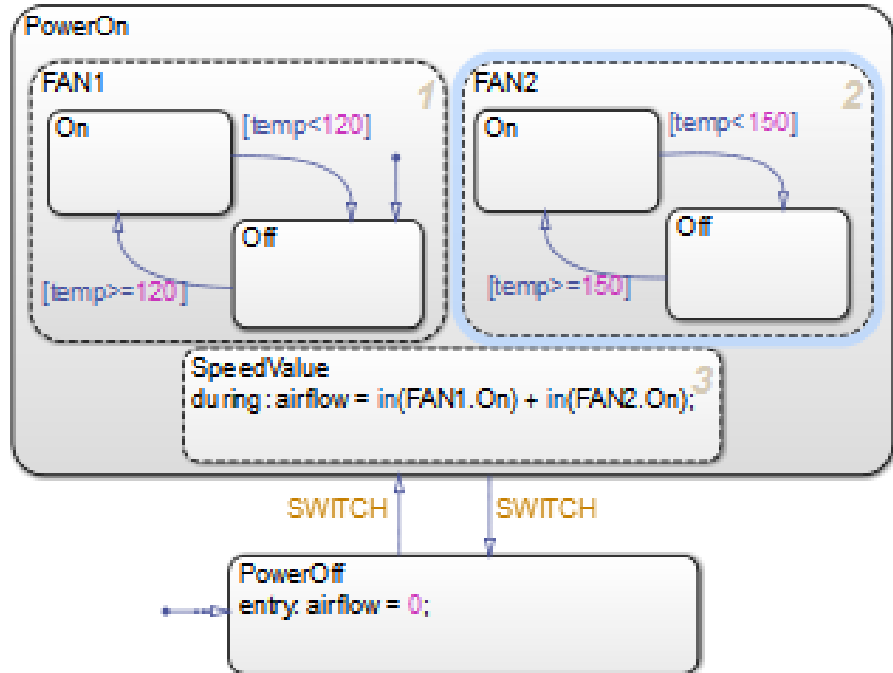
An error appears, highlighted with a red bullet. The error indicates that a state (identified by number) has no default paths to a substate and that the source of the problem is FAN2:



Note The state number in your dialog display can differ from the one pictured above.

- 7 Locate the offending state in the Air Controller chart, by clicking the link to the state number in the status panel at the bottom of the dialog box.

FAN2 appears highlighted in the chart:



- 8 Add back the default transition to FAN2.Off.

The default transition provides an unconditional default path to one of the substates of FAN2.

- 9 Click **Start** in the debugger again.

This time, simulation proceeds without any errors.

- 10 Save Stage7Debug, and leave the chart open for the next exercise.

Debugging Data Range Violations

In this exercise, you will introduce a data range violation in your chart and use the debugger to troubleshoot the problem. Follow these steps:

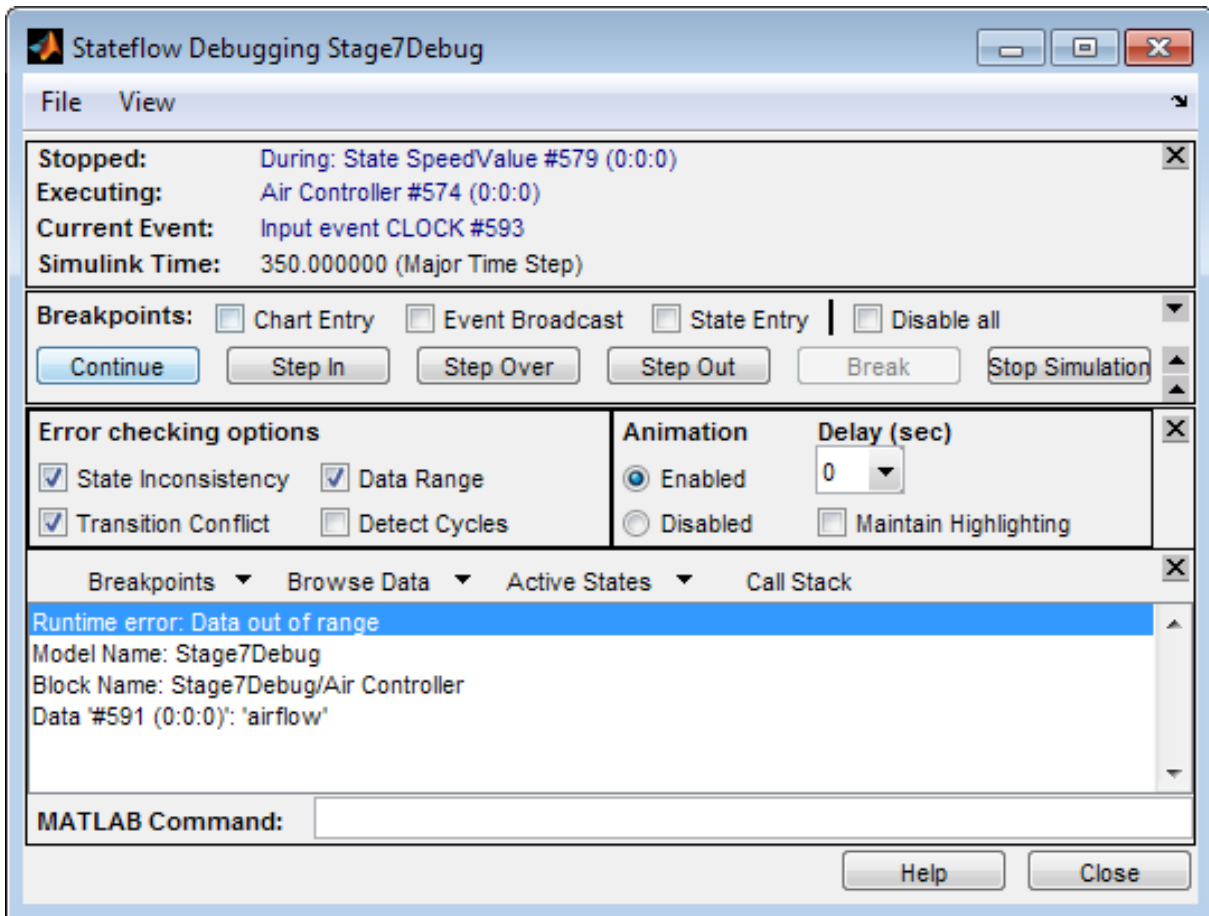
- 1 In the Air Controller chart, modify the **during** action in the **SpeedValue** state by adding 1 to the computed value, as follows:

```
during: airflow = in(FAN1.On) + in(FAN2.On) + 1;
```

Recall that in “Defining the Inputs and Outputs” on page 3-8, you set a limit range of 0 to 2 for **airflow**. By adding 1 to the computation, the value of **airflow** will exceed the upper limit of this range when two fans are running.

- 2 Open the Stateflow debugger and make the following changes:
 - Under **Error checking options**, make sure that **Data Range** is selected.
 - Clear all breakpoints.
- 3 Start simulation.

Simulation pauses after 350 seconds because of an out-of-range data error:



As expected, the error occurs in the during action of SpeedValue because the value of airflow is out of range.

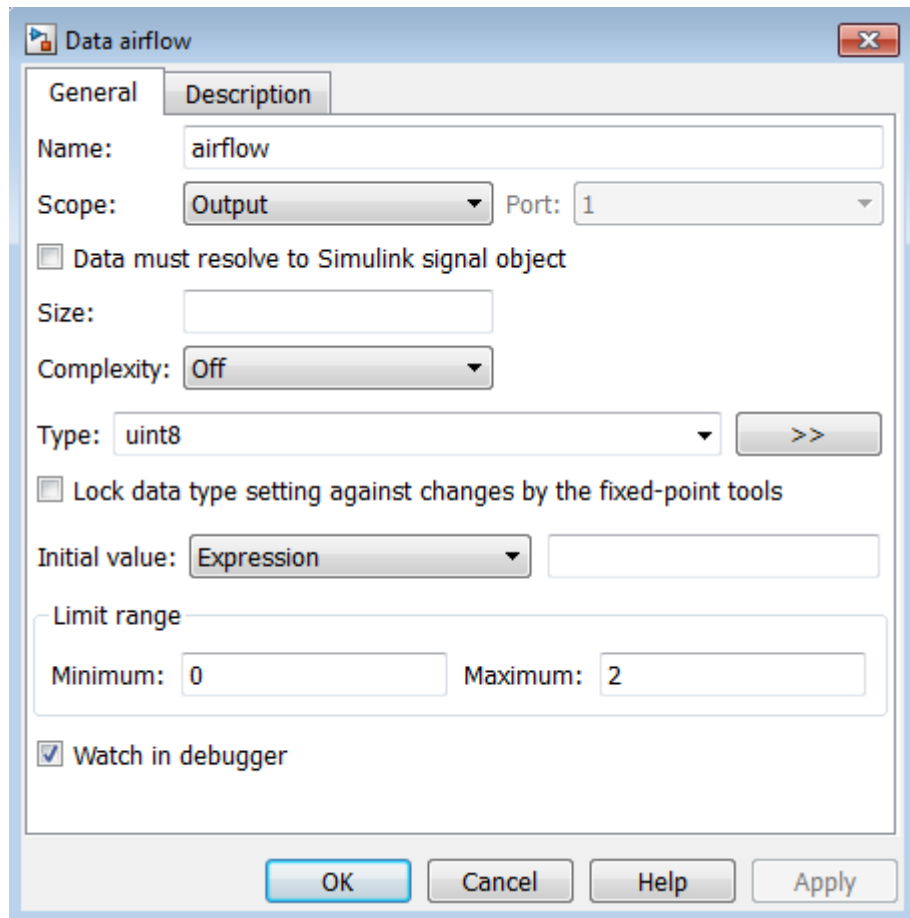
- 4 To isolate the problem, double-click the last line in the status panel at the bottom of the dialog box:

```
Data '#439 (0:0:0)': 'airflow'
```

The Model Explorer opens on your desktop, allowing you to view the properties of `airflow` in the right, read-only pane (read-only because simulation is running).

Note The ID number of the data that appears in the debugger can vary from the value shown.

- 5 Check the limit range for `airflow`:



- 6 Back in the debugger, check the value of airflow by clicking **Browse Data > Watched Data (Current Chart)**.

```
airflow = 3
```

This value exceeds the upper limit of 2.

- 7 Stop simulation.

- 8 Restore the during action to its previous code, and then restart simulation for the model.

The model should simulate with no errors or warnings.

A

animation
of Stateflow charts 8-5

C

compiler
for target 1-9
conditions 2-5
for guarding transitions 6-11

D

debugging
data range violations 9-5
setting breakpoints 8-8
state inconsistencies 9-2
decomposition
of states 4-6
setting 4-11
default transitions 2-4 6-3
adding to Stateflow charts 6-8
defining interface between chart and model
design considerations 3-2
during actions 5-6

E

edge-triggered events 7-3
connecting to input signals 7-4
entry actions 5-4
events 2-5
for guarding transitions 6-13
exclusive (OR) states 2-3
execution order
of parallel (AND) states 4-14

G

guarding transitions 6-4

I

installation
prerequisites for Stateflow software 1-8
product dependencies for Stateflow
software 1-9
Stateflow software 1-8
introduction to Stateflow software 1-1

L

laptop computer with Stateflow software 1-10

M

models
running 2-10

P

parallel (AND) states 2-3 4-10
explicit ordering of 4-14

R

related products
for Stateflow software 1-11
running models 2-10

S

simulation
preparing Stateflow charts for 8-2
setting parameters in charts 8-3
Stateflow charts 8-1
state actions 2-5
design considerations 5-2
types 5-4
when to use 5-2
state transitions 2-4
adding to Stateflow charts 6-2
default 6-3

- design considerations 6-2
- guarding 6-4
- state variables
 - defining 5-2
 - design considerations 5-2
- Stateflow block
 - adding to Simulink model 3-4
- Stateflow charts
 - animation 8-5
 - preparing for simulation 8-2
 - setting breakpoints in 8-8
 - setting simulation parameters 8-3
 - simulation 8-1
- Stateflow software
 - about 1-1
 - conditions 2-5
 - default transitions 2-4
 - events 2-5
 - exclusive (OR) states 2-3
 - installing 1-8
 - parallel (AND) states 2-3
 - prerequisites 1-8
 - product dependencies 1-9
 - related products 1-11

- state actions 2-5
- state transitions 2-4
- using on laptop computer 1-10
- workflow for building charts 1-7
- working with Simulink software 1-5
- states
 - decomposition 4-6
 - hierarchy 4-5
 - parallel (AND) 4-10
 - when to use 4-2

T

- target compiler
 - setting up 1-9
- transitions 2-4
 - adding to Stateflow charts 6-2
 - default 6-3
 - design considerations 6-2
 - guarding 6-4
- triggering Stateflow charts
 - design considerations 7-2
- triggers 7-2
 - how to implement 7-2